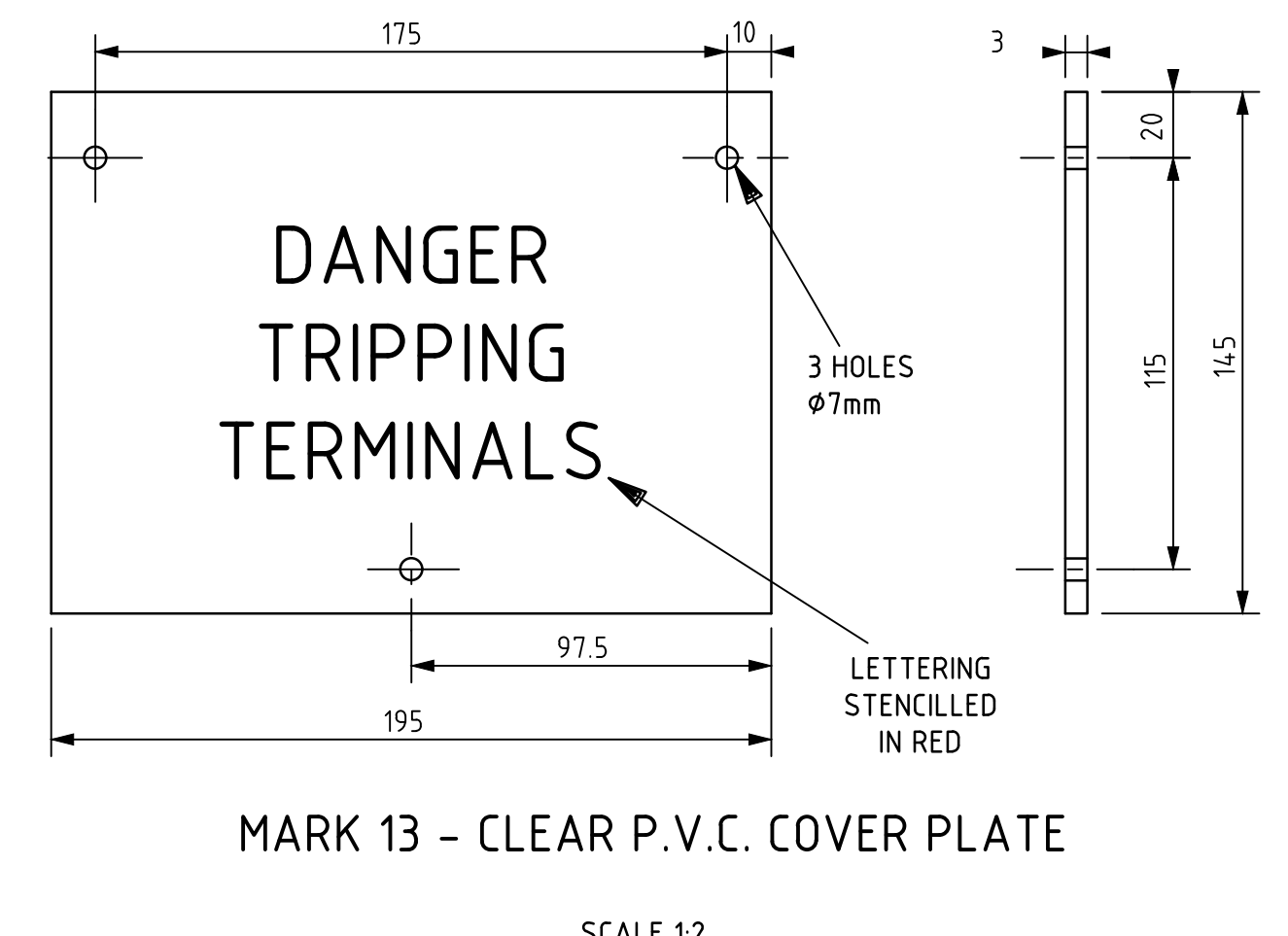
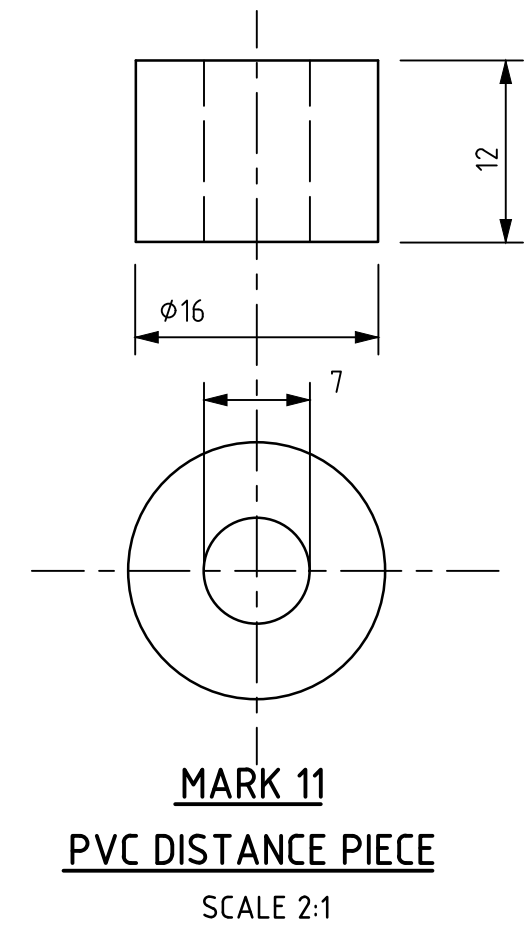
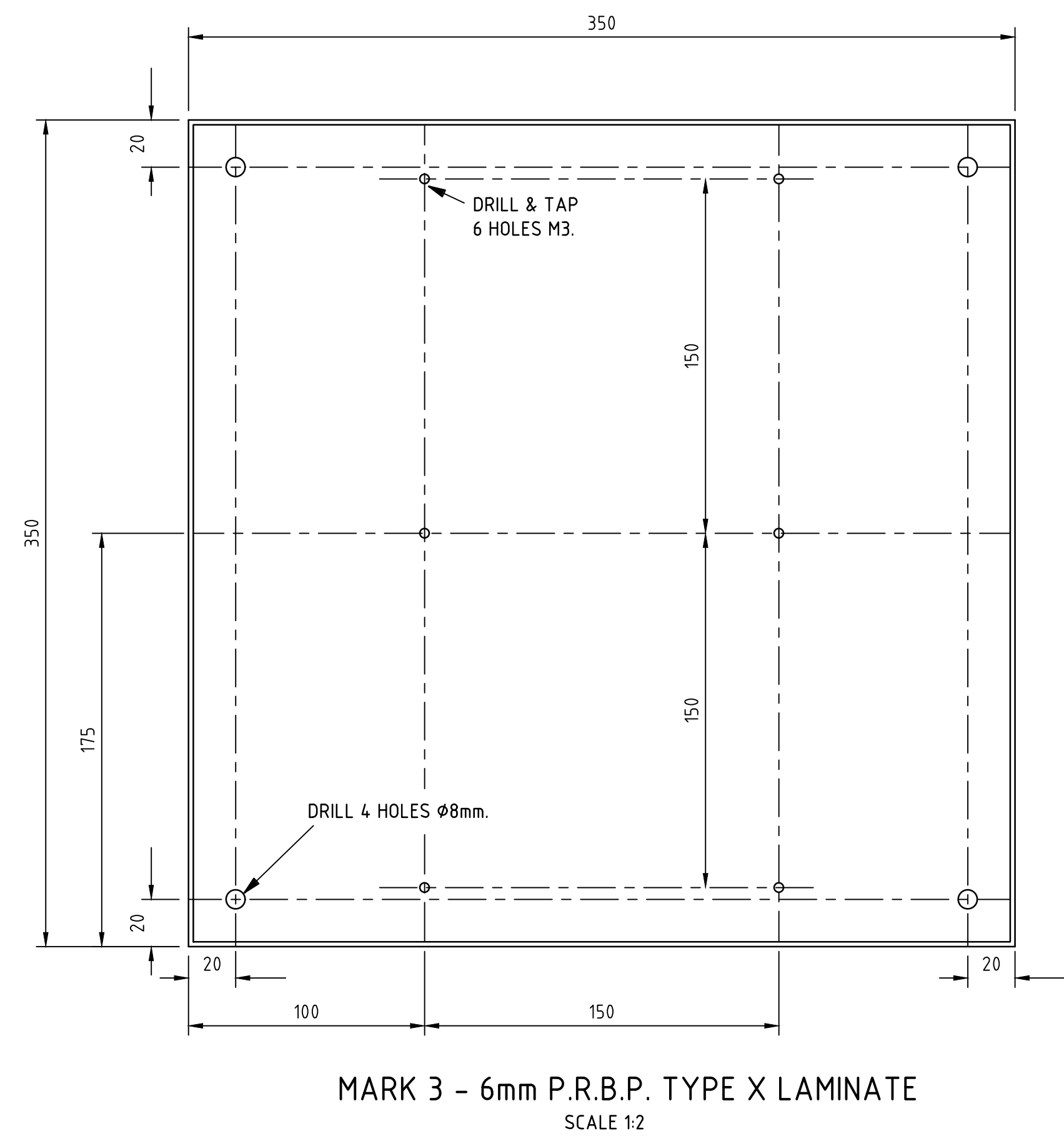
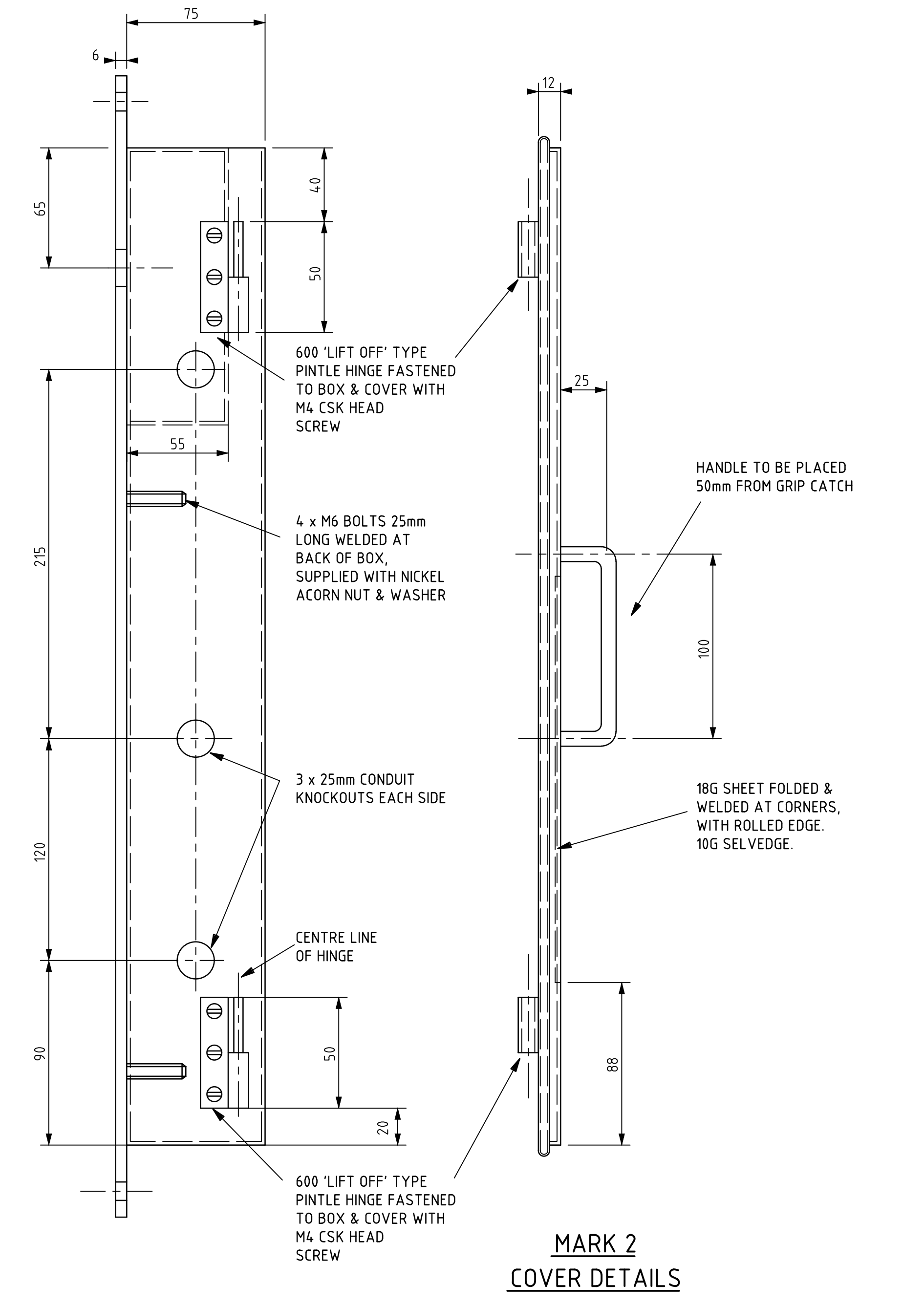
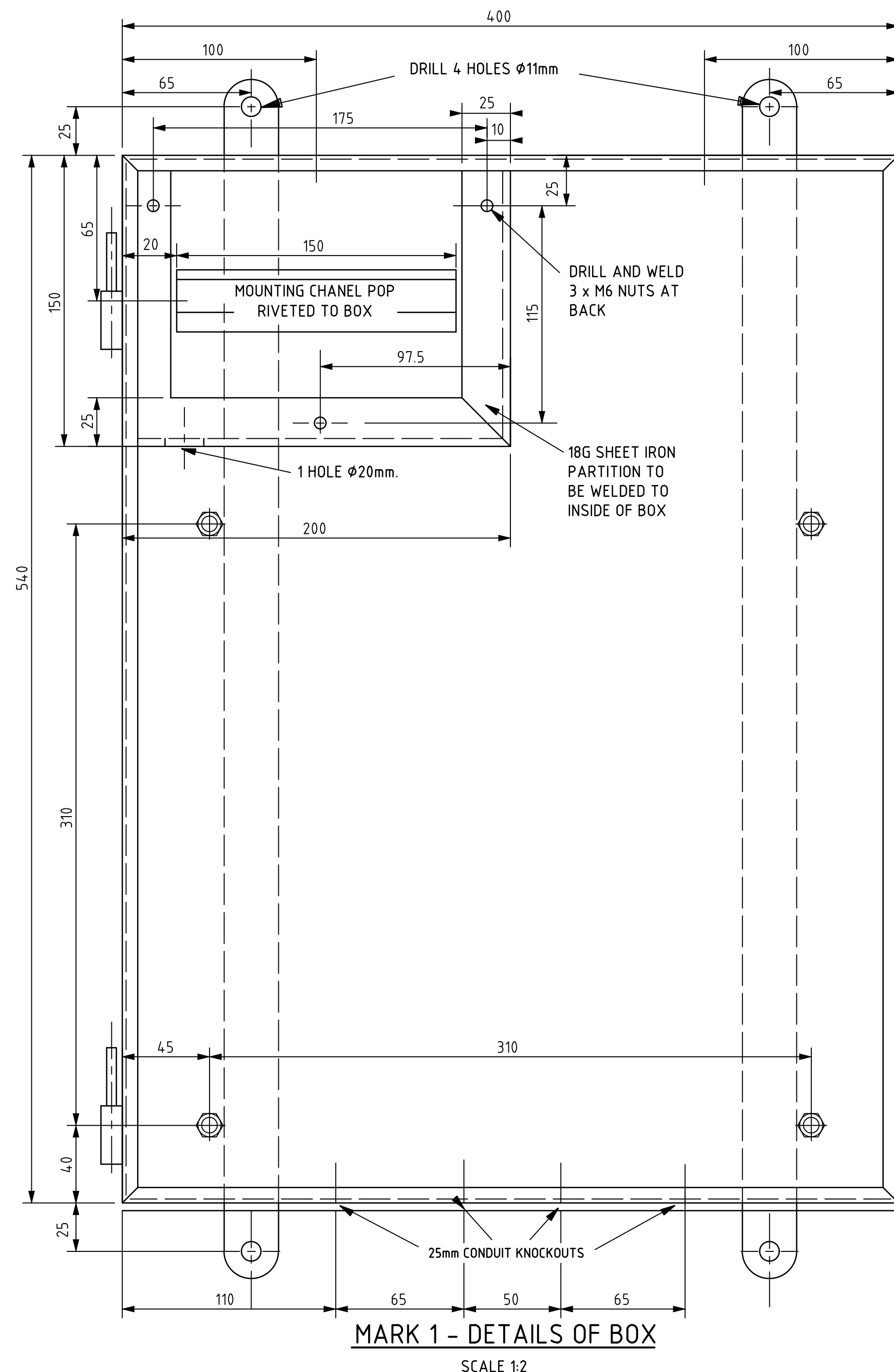
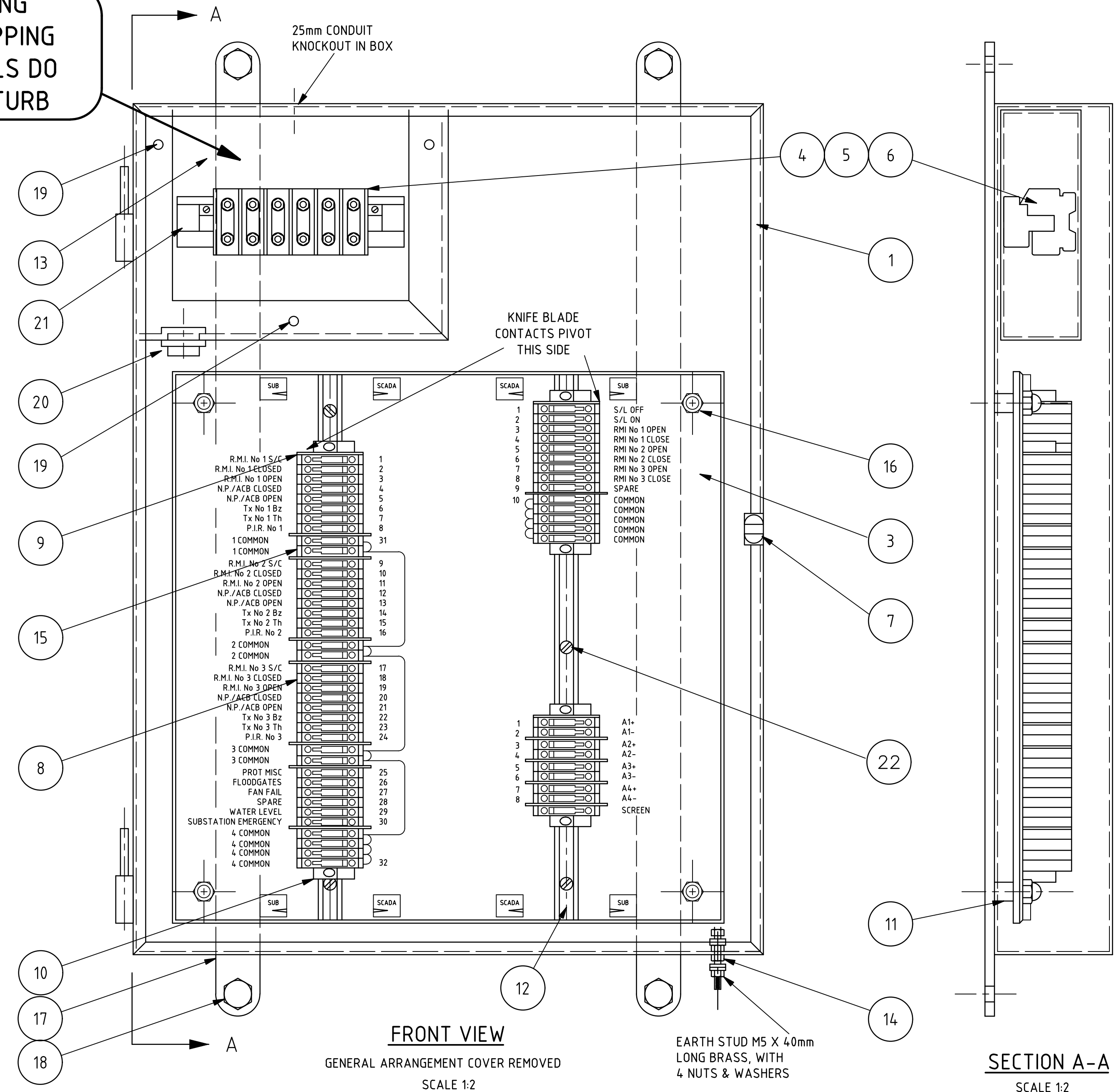


WARNING
LIVE TRIPPING
TERMINALS DO
NOT DISTURB



NOTES

- BOX AND COVER TO BE GIVEN ONE PRIMING COAT, ONE SURFACING UNDERCOAT AND ONE COAT OF ENAMEL. INSIDE COLOUR TO BE WHITE, OUTSIDE TO BE BLUE GREY N53 TO AS2700 - 1985.
- FOR WIRING DIAGRAM OF SIGNAL SYSTEM IN CITY DISTRIBUTION SUBSTATIONS SEE D17363 AND FOR CONNECTION DIAGRAM OF SIGNAL EQUIPMENT IN CITY DISTRIBUTION SUBSTATIONS A1-113432.
- UNUSED CABLE CORES TO BE LEFT LONG ENOUGH TO REACH ANY TERMINAL, ROLLED UP AND ISOLATED.
- ANALOGUE CABLE SHIELD TO BE CUT BACK AND ISOLATED.

MARK	MATERIAL	No	OFF	REMARKS
22	MS	6		M3 CHEESE HEAD SCREWS 7mm LONG.
21	MOUNTING CHANNEL	1		UTILUX H2233 150mm LONG (OR SIMILAR)(STOCK CODE No 78550)
20	P.V.C. BUSH	1		CONDUIT BUSH & LOCK RING CLIPSAI 281/20 & 260/20 (OR SIMILAR)
19	MS.	3		M6 ROUND HEAD, SCREWS 12mm LONG FOR SECURING COVER PLATE 13
18	MS.	4		M10 BOLTS 75mm LONG TO BOLT BACK TO WALL
17	MS.	1		25mm x 6.3mm M.S. FLAT 600mm LONG WELDED TO BACK OF BOX.
16	MS.	4		M6 BOLTS HEX. HEAD 25mm LONG WITH ACORN NUTS AND WASHERS
15	PARTITION	12		KLIPPON TYPE TW CAT No 34826 (STOCK CODE No 83212)
14	BRASS.	1		M5 STUD 40mm LONG FOR EARTH CONNECTION, 4 NUTS AND WASHERS
13	3mm CLEAR PVC	1		COVER FOR BUCHHOLZ TERMINAL BLOCK
12	ASSEMBLY RAIL	2		KLIPPON TYPE TS15 CAT No 11750 (STOCK CODE No 78584)
11	P.V.C. DISTANCE PIECE	4		TO DETAIL.
10	END BRACKET	6		KLIPPON TYPE EW15 CAT No 38286 (STOCK CODE No 118596)
9	PARTITION	3		KLIPPON TYPE AP CAT No 21136 (STOCK CODE No 91686)
8	TERMINALS	63		KLIPPON TYPE SAKR CAT No 41286 (STOCK CODE No 3814)
7	DOOR CATCH	1		TURNER ROLLER CATCH TYPE H669 OR SIMILAR
6	END CLAMP	2		UTILUX H2232 (OR SIMILAR)(STOCK CODE No 77842)
5	END PLATE	1		UTILUX H3821 (OR SIMILAR)(STOCK CODE No 83352)
4	TERMINALS	6		UTILUX H3869 (OR SIMILAR)(STOCK CODE No 91710)
3	P.R.B.P.(TYPE X LAM.)	1		DRILLED TO DETAIL
2	18 BG. MS.	1		COVER TO DETAIL COMPLETE WITH HINGES AND SPRING CATCH
1	18 BG. MS.	1		BOX TO DETAIL

CAD DRAWING
DO NOT MANUALLY AMEND
AMENDMENTS
IS TRANSLATED TO AHRCAD.
ITEM 3 REDESIGNED TO USE SAKR
TERMINALS.
MATERIAL TABLE ALTERED TO SUIT
NEW TERMINALS.
DRB 8-9-92.
Prod No 83203/83204.
CHECKED GIG
APPROVED. OZ

16. SIX WAY TERMINAL BLOCK
REPLACED BY UTILUX H3820
TERMINAL BLOCK.
ITEMS 21, 23 & 26 DELETED.
ITEMS 4, 5 & 6 ADDED.
NOTE 3 DELETED.
NOTES 4 & 5 RENUMBERED.

DRB 1-11-93.
PROJ NO 183311.
CHECKED PJE
APPROVED. OZ

17. STREET LIGHTING AND
SUBSTATION LIGHTING DELETED.

DRB 27-1-94.
PROJ NO 540294.
CHECKED PJE
APPROVED. OZ

18. MARK 1 WAS UTILUX H3820 AND
STOCK CODE 38469.

A/E 10-1-2001
CHECKED DC
APPROVED. DC

19. NEW AUSGRID BORDER & LOGO
ADDED

RLAALAA
APPROVED 17/09/2013
T.LAWPARD

20. BORDER & TITLE BLOCK UPDATED.

MERNETT
APPROVED 12/09/2024
L.MERNETT

Ausgrid
24 Campbell Street
SYDNEY NSW 2000
P. 9272 3805

ISSUED FOR
CONSTRUCTION

SCALE	AS SHOWN
DESIGNED	-
DRAWN	EAC
CHECKED	HGH
APPROVED	LTW
DATE	22/03/1937
TRIM REF	-
PROJECT NUMBER	-

CITY DISTRIBUTION SUBSTATIONS
DETAILS OF SIGNAL SYSTEM
DISCONNECTION BOX

DRAWING No **1856** SHEET 1 AMD 20 SIZE B1

C&P - DISTRIBUTION SUBS