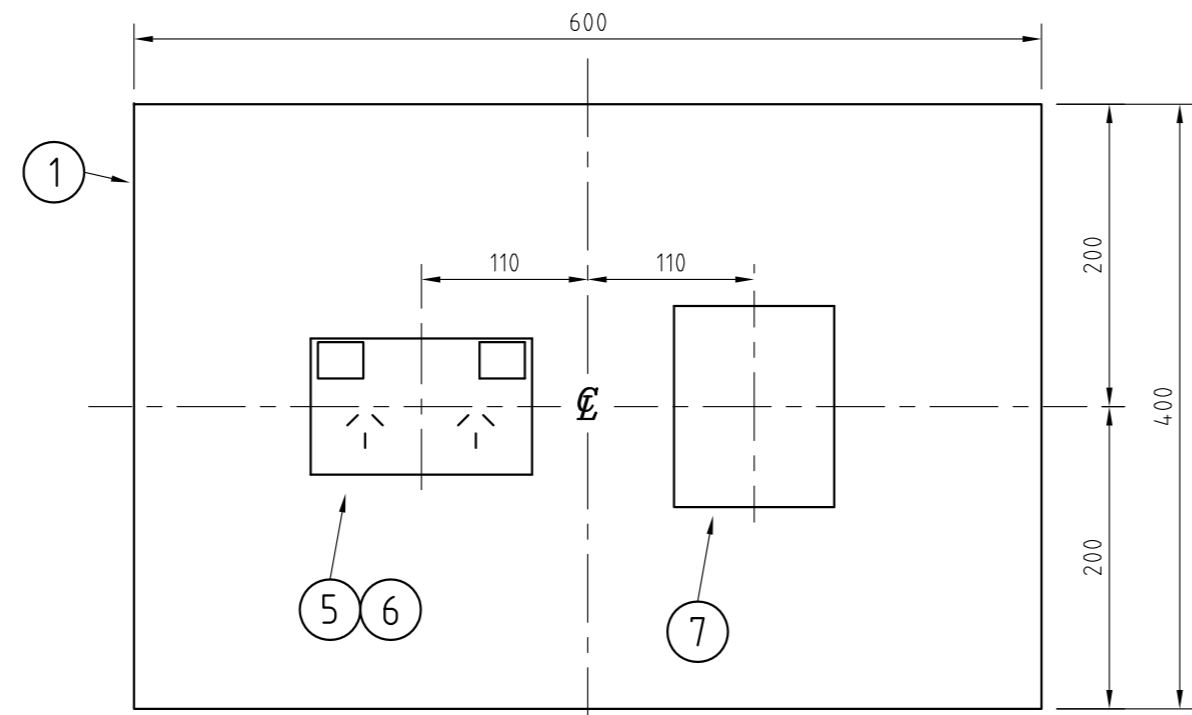
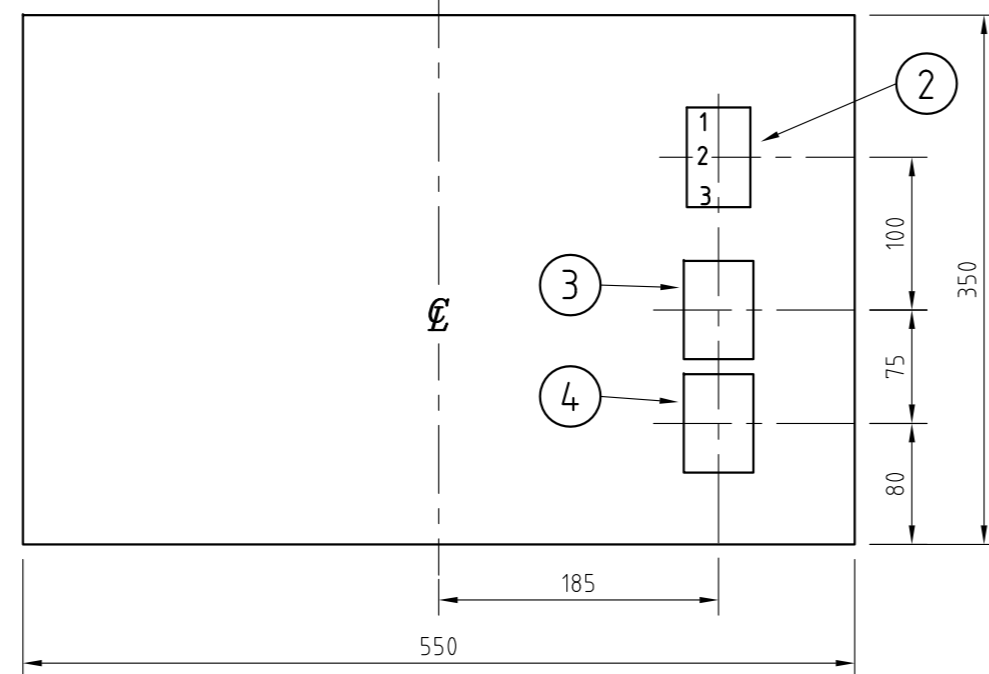


DOOR (FRONT VIEW)
GENERAL ARRANGEMENT
SCALE 1:5
SEE NOTE 4 & 5



INTERIOR PANEL (FRONT VIEW)
GENERAL ARRANGEMENT
SCALE 1:5
SEE NOTE 4 & 5



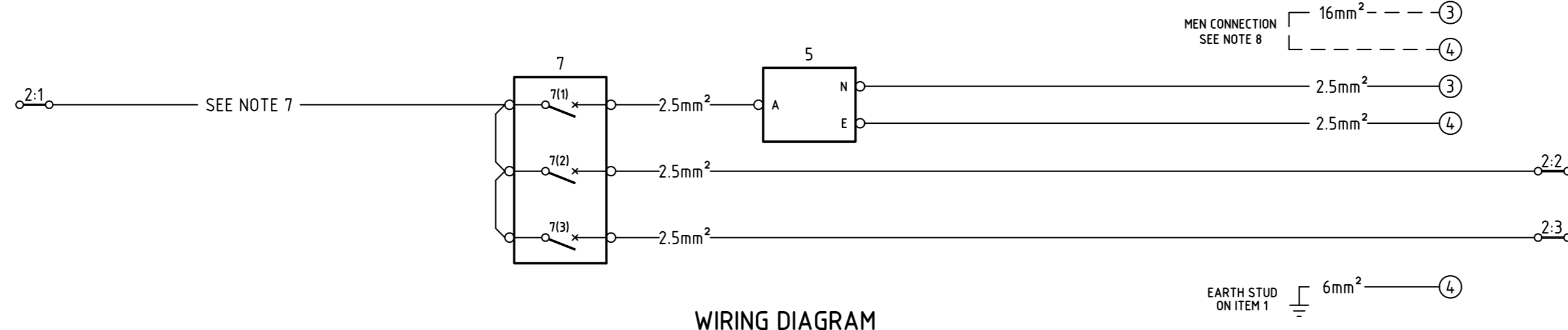
ITEM No	DESCRIPTION	REMARKS	No. OFF
7(3)	16A 1φ 8kA MINIATURE C/B (BATTERY CHARGER)	CLIPSAL TYPE 4CB116	1
7(2)	16A 1φ 8kA MINIATURE C/B (LIGHTS/FAN)	CLIPSAL TYPE 4CB116	1
7(1)	20A 1φ 8kA MINIATURE C/B (1φ POWER)	CLIPSAL TYPE 4CB120	1
7	4 MODULE SWITCHBOARD	CLIPSAL TYPE 4CC4	1
6	MOUNTING BLOCK	HPM TYPE 140	1
5	10A DOUBLE GPO	HPM TYPE 777	1
4	EARTH LINK	CLIPSAL TYPE L5	1
3	NEUTRAL LINK	CLIPSAL TYPE L5	1
2	TERMINAL STRIP (2:1-3)	KLIPPON STS 85A	3
1	WALL MOUNTED BOX	EMPCO W4625	1

MATERIAL LIST (SEE NOTE 2)

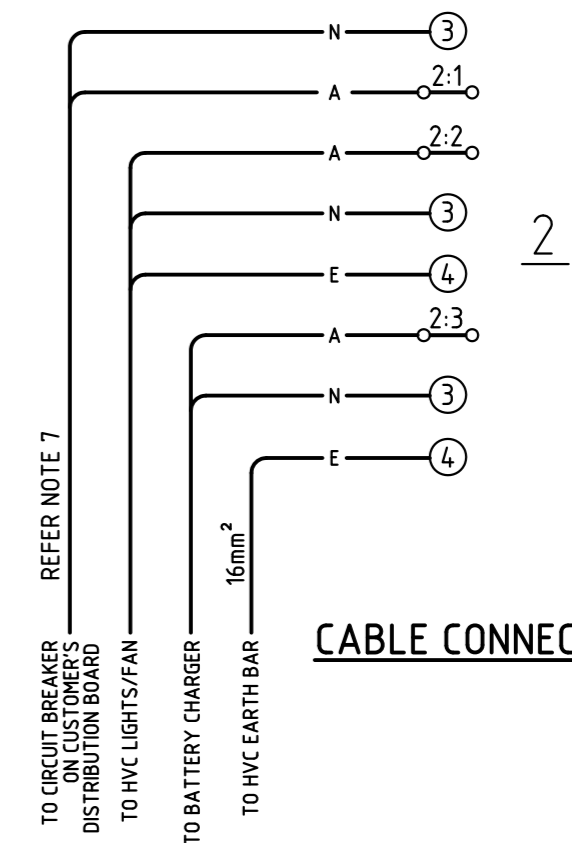
NOTES

- THIS SERVICE BOARD IS DESIGNED FOR CHAMBER TYPE HIGH VOLTAGE CUSTOMER SUBSTATIONS.
- ALL MATERIALS SHOWN CAN BE SUBSTITUTED AS LONG AS THE SUBSTITUTE COMPONENT PROVIDES SIMILAR OF BETTER PERFORMANCE THAN THE ONE SHOWN. DETAILS PROVING THE PERFORMANCE OF OTHER PRODUCTS MUST BE SUBMITTED FOR ACCEPTANCE, IN ACCORDANCE WITH THE REQUIREMENTS OF NETWORK STANDARD 181, BEFORE USE.
- THIS DRAWING IS TO BE READ IN CONJUNCTION WITH RELEVANT NETWORK STANDARDS AND THE SUBSTATION EARTHING DESIGN.
- REFER TO THE MANUFACTURER FOR DRILLING DETAILS OF ALL COMPONENTS.
- COMPRESSION TYPE CABLE LUGS ARE TO BE USED FOR CABLE TERMINATIONS ONTO ITEM 2.
- THE NEUTRAL AND EARTH LINK CONNECTIONS DESIGNATED BY 3 & 4 ARE TO BE INDIVIDUALLY CONNECTED TO THEIR LINK.
- CABLE TO BE 20 AMP AND OF ADEQUATE SIZE TO PREVENT VOLTAGE DROP, REFER TO AS3000 FOR CABLE SIZE.
- THE MEN CONNECTION IS INSTALLED ONLY WHERE THE SUBSTATION EARTHING DESIGN PERMITS THE CUSTOMER AUXILIARY LV SUPPLY EARTH TO BE CONNECTED TO THE HVC SUBSTATION EARTHING SYSTEM.

TERMINALS (2)	CABLE SIZE	SWITCHBOARD (7)	CABLE SIZE	DOUBLE GPO (5)	CABLE SIZE	NEUTRAL LINK (3)	EARTH LINK (4)	TERMINALS (2)
---------------	------------	-----------------	------------	----------------	------------	------------------	----------------	---------------



WIRING DIAGRAM



CABLE CONNECTIONS

CONSTRUCTION

NETWORK STANDARD
Ausgrid
ASSET ENGINEERING, POLICY AND STANDARDS
TRANSMISSION & DISTRIBUTION SUBSTATION ENGINEERING
570 GEORGE STREET, SYDNEY

SCALE	AS SHOWN
DESIGNED	PWJ
DRAWN	IWR
CHECKED	IWR
APPROVED	18.12.07
DATE	208/6/9/2
PROJECT NUMBER	
PROJTRAK NUMBER	

HIGH VOLTAGE CUSTOMER SUBSTATIONS
SERVICE BOARD
GENERAL ARRANGEMENT AND
WIRING DIAGRAM

SIZE	DRAWING No	SHEET	AMD
A2	169394	1	3

CAD DRAWING
DO NOT MANUALLY AMEND
AMENDMENTS
1. NEW AUSGRID BORDER & LOGO ADDED.
R.LAALAA 24-09-2013
APPROVED T.LAMPARD
2. BORDER CORRECTED.
CABLE CONNECTION DESTINATIONS CORRECTED.
NOTE 7 UPDATED TO INCLUDE CABLE RATING.
PN OPEX 6568-1-1-6
P.JARVIS 31.3.15
CHECKED: M.CHARAN
APPROVED: P.TURRIN
3. OPTIONAL MEN CONNECTION AND NOTE 8 ADDED.
PN 129021840
P.JARVIS 30.4.19
CHECKED: P.WOLOSYZN
APPROVED: M.GIBSON