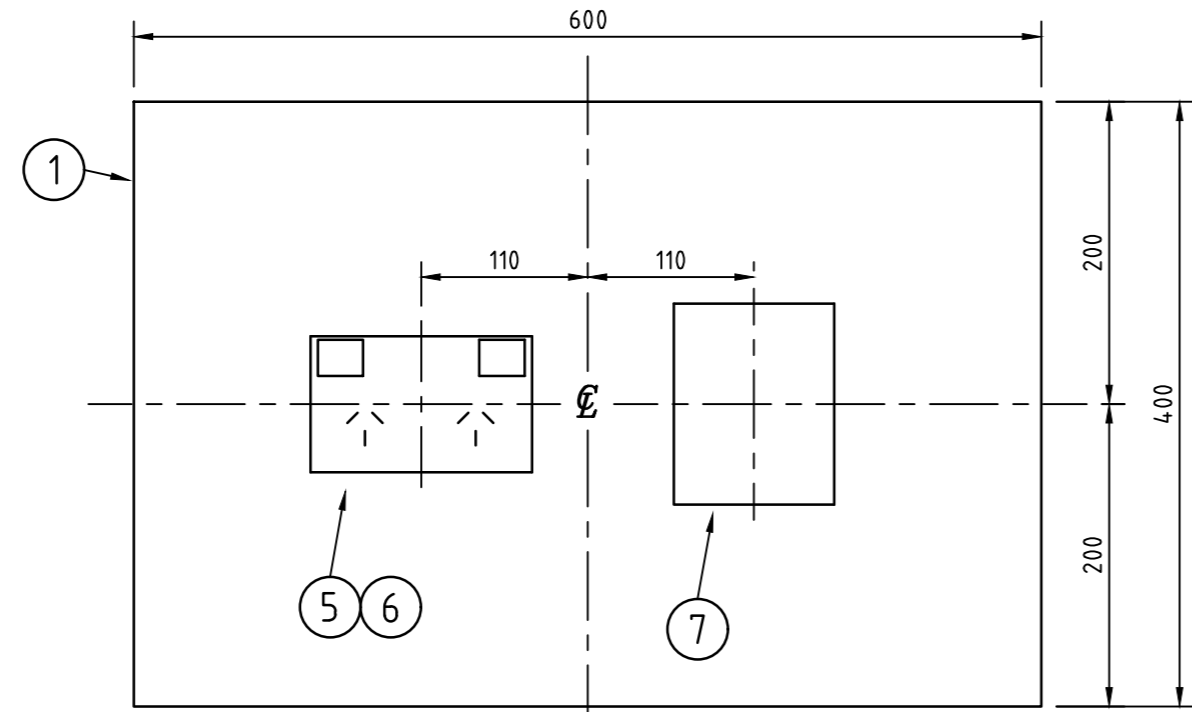
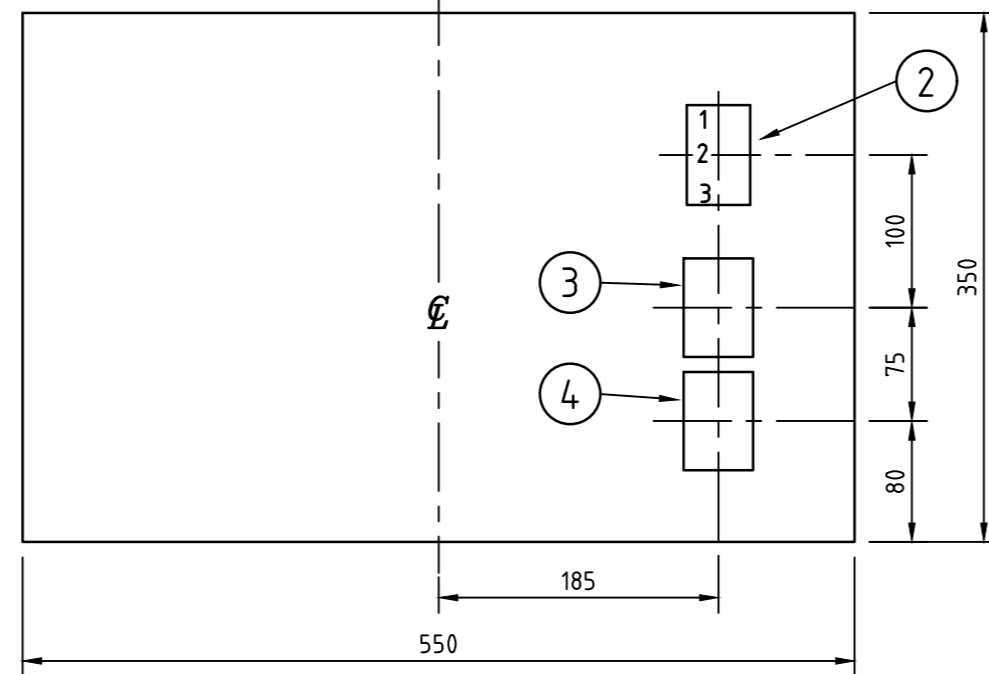


DOOR (FRONT VIEW)
GENERAL ARRANGEMENT
SCALE 1:5
SEE NOTE 4 & 5



INTERIOR PANEL (FRONT VIEW)
GENERAL ARRANGEMENT
SCALE 1:5
SEE NOTE 4 & 5



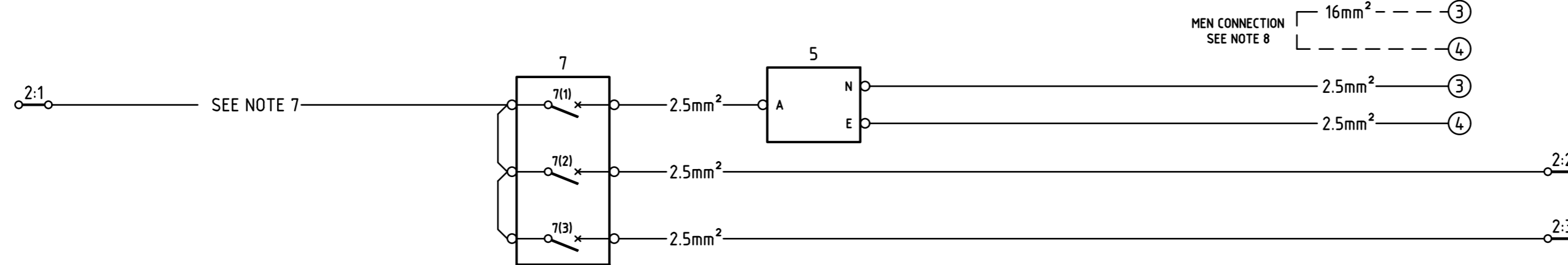
ITEM No	DESCRIPTION	REMARKS	No. OFF
7(3)	16A 1φ 8kA MINIATURE C/B (BATTERY CHARGER)	CLIPSAL TYPE 4CB116	1
7(2)	16A 1φ 8kA MINIATURE C/B (LIGHTS/FAN)	CLIPSAL TYPE 4CB116	1
7(1)	20A 1φ 8kA MINIATURE C/B (1φ POWER)	CLIPSAL TYPE 4CB120	1
7	4 MODULE SWITCHBOARD	CLIPSAL TYPE 4CC4	1
6	MOUNTING BLOCK	HPM TYPE 140	1
5	10A DOUBLE GPO	HPM TYPE 777	1
4	EARTH LINK	CLIPSAL TYPE L5	1
3	NEUTRAL LINK	CLIPSAL TYPE L5	1
2	TERMINAL STRIP (2:1-3)	KLIPPON STS 85A	3
1	WALL MOUNTED BOX	EMPCO W4625	1

MATERIAL LIST (SEE NOTE 2)

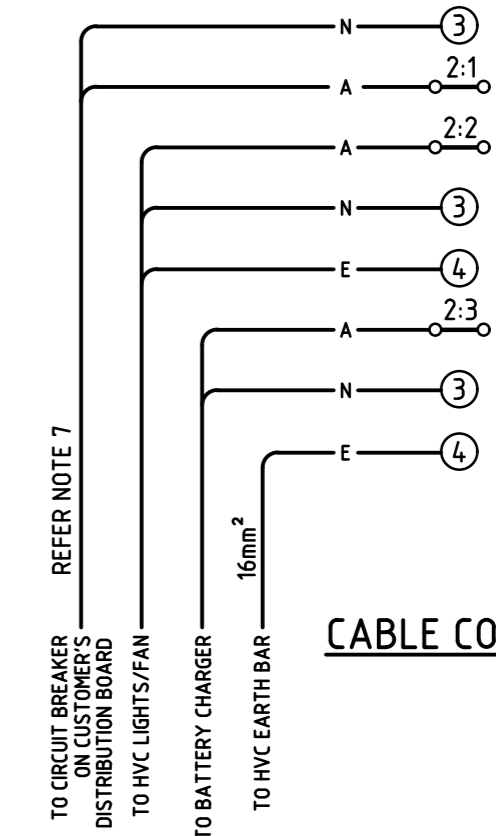
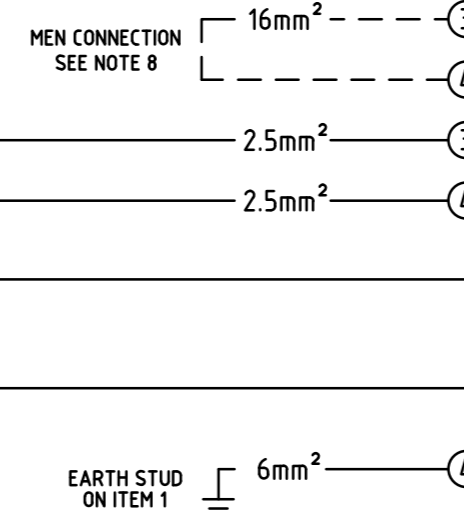
NOTES

- THIS SERVICE BOARD IS DESIGNED FOR CHAMBER TYPE HIGH VOLTAGE CUSTOMER SUBSTATIONS.
- ALL MATERIALS SHOWN CAN BE SUBSTITUTED AS LONG AS THE SUBSTITUTE COMPONENT PROVIDES SIMILAR OF BETTER PERFORMANCE THAN THE ONE SHOWN. DETAILS PROVING THE PERFORMANCE OF OTHER PRODUCTS MUST BE SUBMITTED FOR ACCEPTANCE, IN ACCORDANCE WITH THE REQUIREMENTS OF NETWORK STANDARD 181, BEFORE USE.
- THIS DRAWING IS TO BE READ IN CONJUNCTION WITH RELEVANT NETWORK STANDARDS AND THE SUBSTATION EARTHING DESIGN.
- REFER TO THE MANUFACTURER FOR DRILLING DETAILS OF ALL COMPONENTS.
- COMPRESSION TYPE CABLE LUGS ARE TO BE USED FOR CABLE TERMINATIONS ONTO ITEM 2.
- THE NEUTRAL AND EARTH LINK CONNECTIONS DESIGNATED BY 3 & 4 ARE TO BE INDIVIDUALLY CONNECTED TO THEIR LINK.
- CABLE TO BE 20 AMP AND OF ADEQUATE SIZE TO PREVENT VOLTAGE DROP, REFER TO AS3000 FOR CABLE SIZE.
- THE MEN CONNECTION IS INSTALLED ONLY WHERE THE SUBSTATION EARTHING DESIGN PERMITS THE CUSTOMER AUXILIARY LV SUPPLY EARTH TO BE CONNECTED TO THE HVC SUBSTATION EARTHING SYSTEM.

TERMINALS (2)	CABLE SIZE	SWITCHBOARD (7)	CABLE SIZE	DOUBLE GPO (5)	CABLE SIZE	SEE NOTE 6 NEUTRAL LINK (3) EARTH LINK (4)	TERMINALS (2)
2:1	SEE NOTE 7	7	2.5mm ²	5	2.5mm ²	16mm ² --- ③ 16mm ² --- ④	2:2 2:3



WIRING DIAGRAM



CABLE CONNECTIONS

CAD DRAWING DO NOT MANUALLY AMEND AMENDMENTS	
1. NEW AUSGRID BORDER & LOGO ADDED. RLAALAA 24-09-2013 APPROVED T.LAMPARD	2. BORDER CORRECTED. CABLE CONNECTION DESTINATIONS CORRECTED. NOTE 7 UPDATED TO INCLUDE CABLE RATING. PN OPEX 6568-1-1-6 P.JARVIS 31.3.15 CHECKED: M.GHARAN APPROVED: P.TURRIN
3. OPTIONAL MEN CONNECTION AND NOTE 8 ADDED. PN 129021840 P.JARVIS 30.4.19 CHECKED: P.WOLOSYZN APPROVED: M.GIBSON	4. NEW DRAWING BORDER ADDED. S.MUNRO 18/09/2024 CHKD: M.BENNETT APPR: M.BENNETT

Ausgrid
24-28 Campbell Street
SYDNEY NSW 2000

SCALE	AS SHOWN
DESIGNED	-
DRAWN	P.JARVIS
CHECKED	I.ROBSON
APPROVED	I.ROBSON
DATE	18/12/2007
TRIM REF	-

HIGH VOLTAGE CUSTOMER SUBSTATIONS SERVICE BOARD GENERAL ARRANGEMENT & WIRING DIAGRAM			
ISSUED FOR CONSTRUCTION	PROJECT NUMBER ES 208-6-9-2	SIZE A2	DRAWING No 169394
SHEET 1	AMD 4		