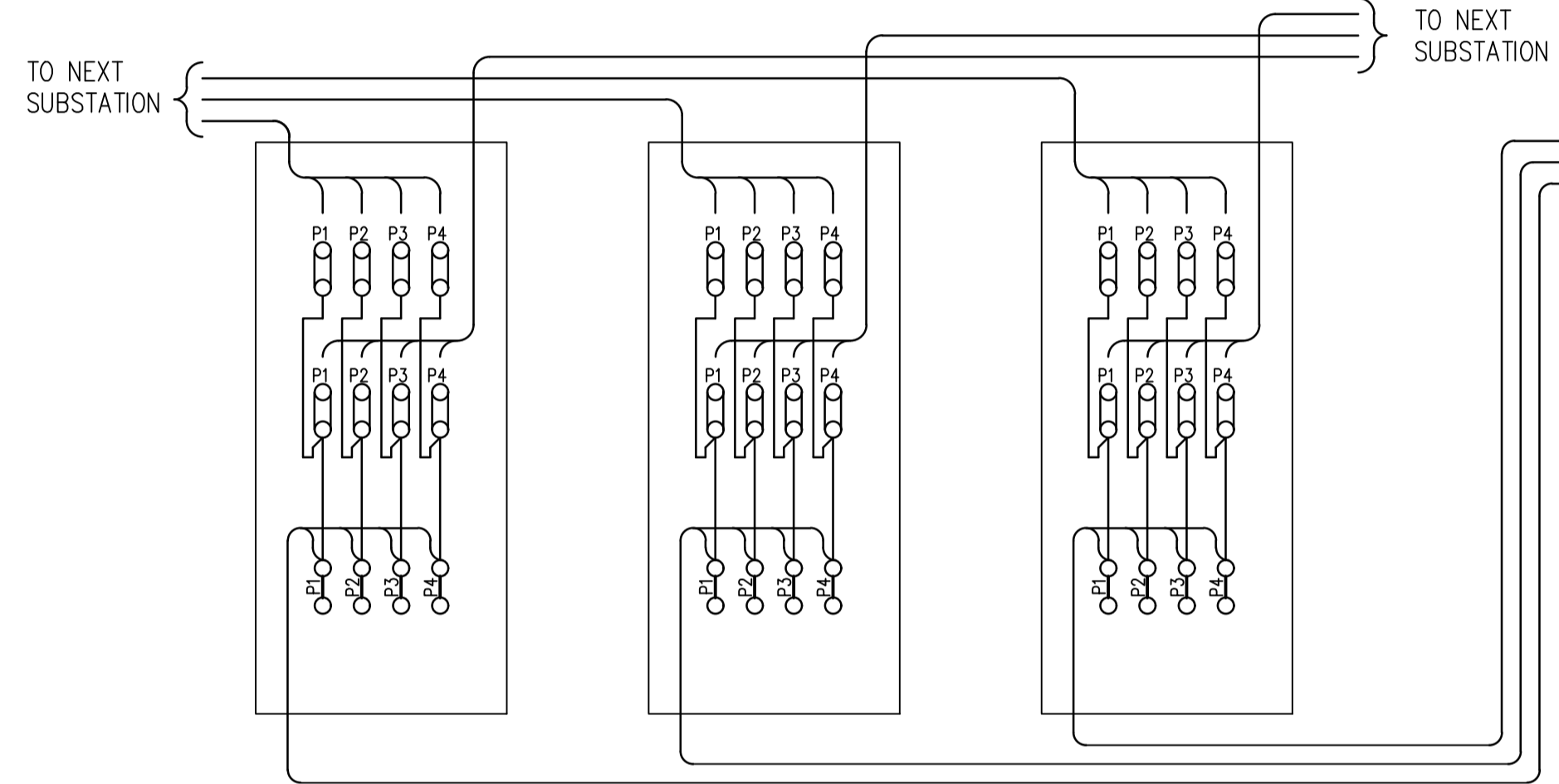
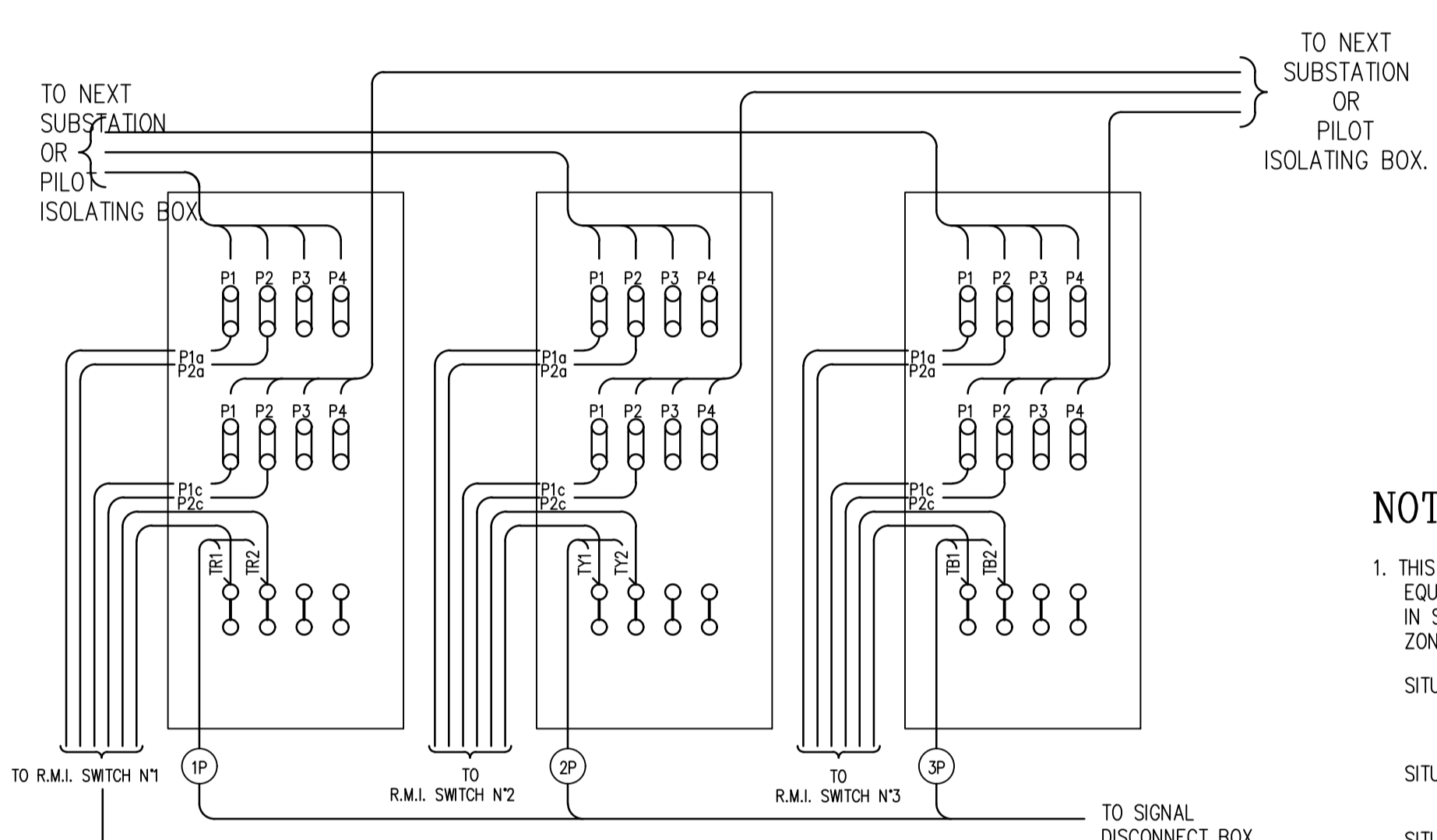


ROUTE LABELS N* (REFER DWG A1-115150)
 FEEDER LABELS N* (REFER DWG A1-115150)



PILOT ISOLATING BOXES (P.I.B.)
 FOR USE WITH TWO & THREE WAY R.M.I. INTERCONNECTORS.

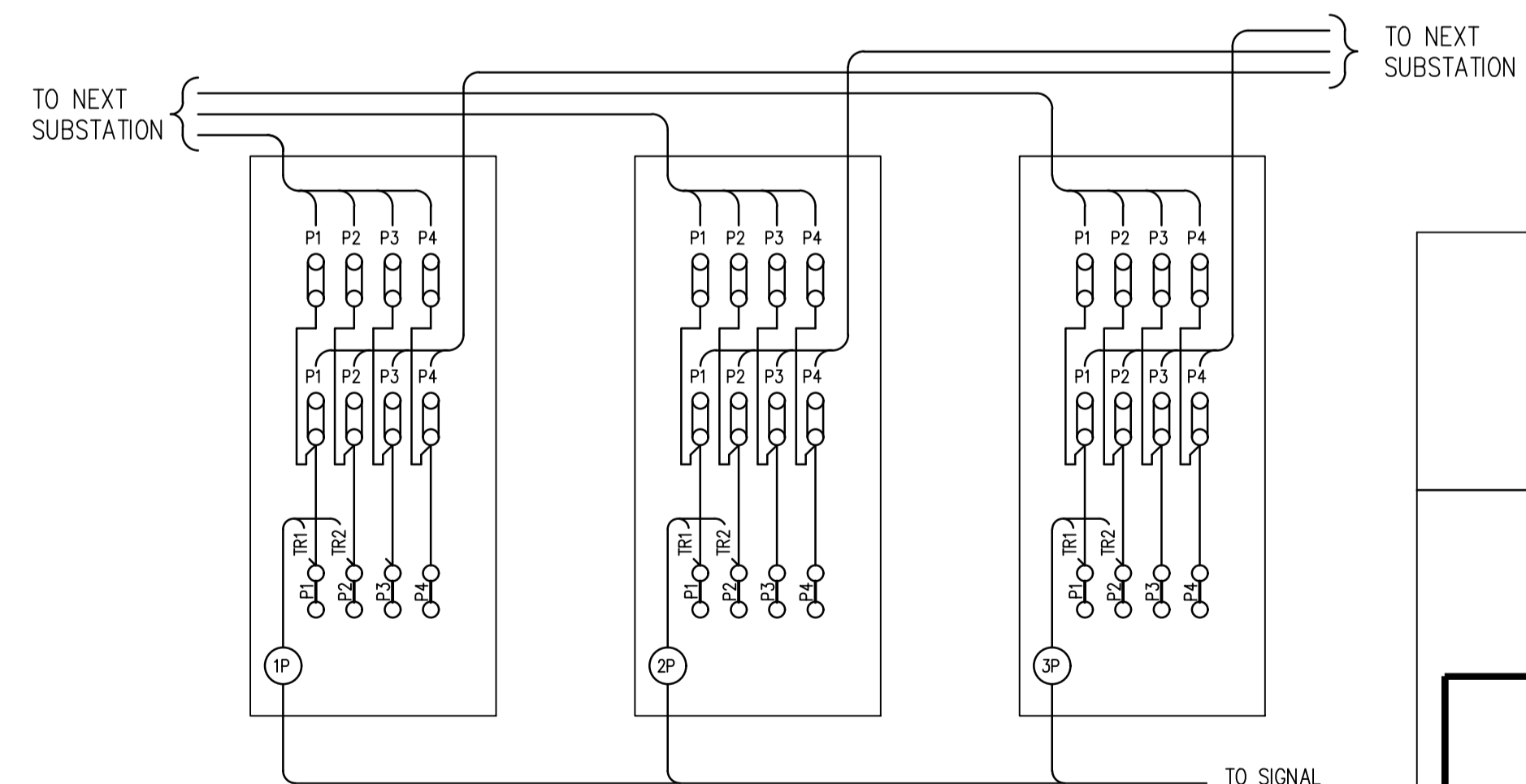


INTERCONNECTOR PILOT BOXES (I.P.B.)
 FOR USE WITH TWO & THREE WAY R.M.I. INTERCONNECTORS.

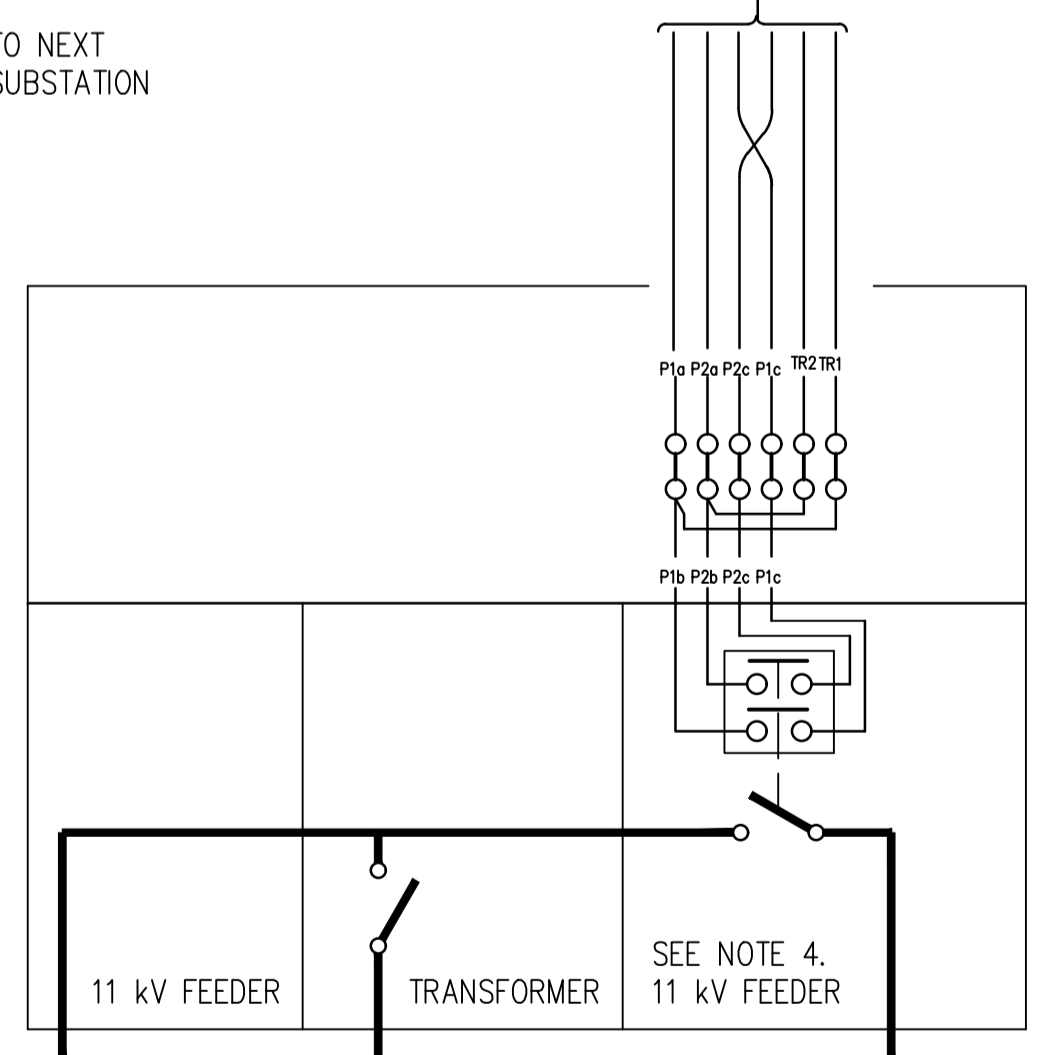
P.I.B. PILOT ISOLATING BOX
 I.P.B. INTERCONNECTOR PILOT BOX

NOTES

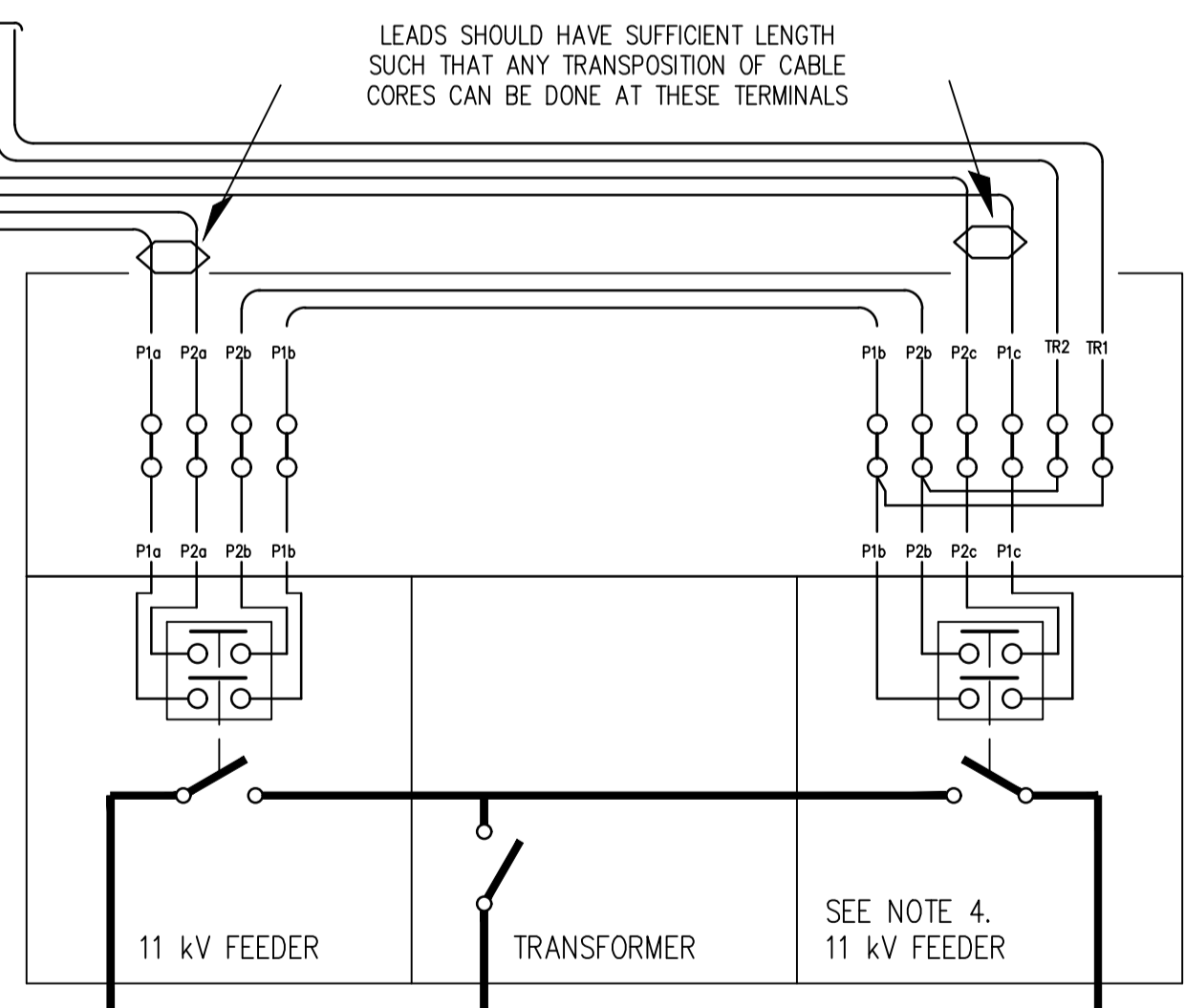
- THIS DRAWING COVERS A NUMBER OF POSSIBLE FEEDER CONNECTIONS. EQUIPMENT WILL BE USED AS DEFINED BELOW FOR EACH SUBSTATION. IN SITUATIONS 2, 3 & 4 3-WAY R.M.I.'S ARE USED TO PROVIDE ZONE INTERCONNECTION.
- SITUATION 1. WHERE A FEEDER IS TEED INTO A SUBSTATION AND NO INTERCONNECTOR IS INVOLVED, THREE PILOT ISOLATING BOXES ARE REQUIRED.
- SITUATIONS 2 & 2A. WHERE THE 3-WAY OR 2 WAY R.M.I. IS AT THE END OF THE FEEDERS, THREE INTERCONNECTOR PILOT BOXES ARE REQUIRED.
- SITUATION 3. WHERE THE 3-WAY R.M.I. IS AT THE END OF ONE FEEDER AND TEED INTO THE OTHER FEEDER, THEN THREE PILOT ISOLATING BOXES AND THREE INTERCONNECTOR PILOT BOXES ARE REQUIRED.
- SITUATION 4. WHERE THE 3-WAY R.M.I. IS TEED INTO BOTH THE FEEDERS, THEN THREE INTERCONNECTOR PILOT BOXES AND SIX PILOT ISOLATING BOXES ARE REQUIRED.
- NUMBERS SHOWN IN ○ ARE CABLE NUMBERS.
- IPB'S TO BE INSTALLED ADJACENT TO THE SIGNAL AND PILOT DISCONNECT BOX. IN UPPER LEVEL SUBSTATIONS IPB'S AND PIB'S WILL BE LOCATED IN THE BASEMENT LEVEL WHILE SIGNAL AND PILOT DISCONNECT BOX WILL BE INSTALLED IN THE UPPER LEVEL SUBSTATION.
- WHERE REMOTE CLOSING FACILITIES ARE FITTED THEY ARE TO BE USED IN THIS SIDE OF THE R.M.I.
- AUX SWITCH MAY BE INSTALLED ON TRANSFORMER SWITCH THESE ARE FOR FUTURE DATT INDICATION ONLY.



PILOT ISOLATING BOXES (P.I.B.)
 FOR USE WITH I & E SWITCHES.



TYPICAL ARRANGEMENT OF TWO WAY R.M.I. INTERCONNECTOR.



TYPICAL ARRANGEMENT OF THREE WAY R.M.I. INTERCONNECTOR.

REFERENCE DRAWINGS	
CITY DISTRIBUTION CENTRES SIGNAL DISCONNECT BOX CABLE CONNECTIONS.	A3-113889
CITY DISTRIBUTION CENTRES PILOT ISOLATING BOXES AND INTERCONNECTOR PILOT BOXES LABEL DETAILS.	A2-115150
CITY DISTRIBUTION CENTRES PILOT ISOLATING BOXES AND INTERCONNECTOR PILOT BOXES GENERAL ARRANGEMENT.	A2-115065
LAUR KNUDSEN TYPE ELA T2 WITH REMOTE TRIPPING FACILITIES AUX SWITCH INSTALLATION GENERAL ARRANGEMENT	B1-116001
LAUR KNUDSEN TYPE ELA T2 WITH LOCAL TRIPPING FACILITIES AUX SWITCH INSTALLATION GENERAL ARRANGEMENT	B1-116003
G.E.C. TYPE DDB R.M.I. AUX SWITCH INSTALLATION GENERAL ARRANGEMENT	A1-117002
ABB TYPE SD3 REMOTE CLOSING, TERMINATION BOX GENERAL ARRANGEMENT	A3-117016

CAD DRAWING
 DO NOT MANUALLY AMEND
AMENDMENTS

3. DRAWING TRANSLATED FROM CADAM.
 REF F5 WIRING FOR 2-WAY RMI ADDED.
 NOTE 5 ADDED.

CHECKED: 02
 APPROVED: 20/12/1990
 P.N. 22990

4. NEW AUSGRID BORDER & LOGO ADDED.
 24/09/2013
 BLALALAA T.LAMPARD
 APPROVED:

5. BORDER & TITLE BLOCK UPDATED.
 24/10/2024
 MBENNETT L.MARTINUZZI
 CHECKED: MBENNETT
 APPROVED:



SCALE	NTS
DESIGNED	-
DRAWN	PWJ
CHECKED	SM
APPROVED	RM
DATE	14/01/1988
TRIM REF	-
PROJECT NUMBER	22999

CITY DISTRIBUTION CENTRES PILOT ISOLATING BOXES & INTERCONNECTOR PILOT BOXES CONNECTION DETAILS			
DRAWING No	116004	SHEET	1
AMD	5	SIZE	A1