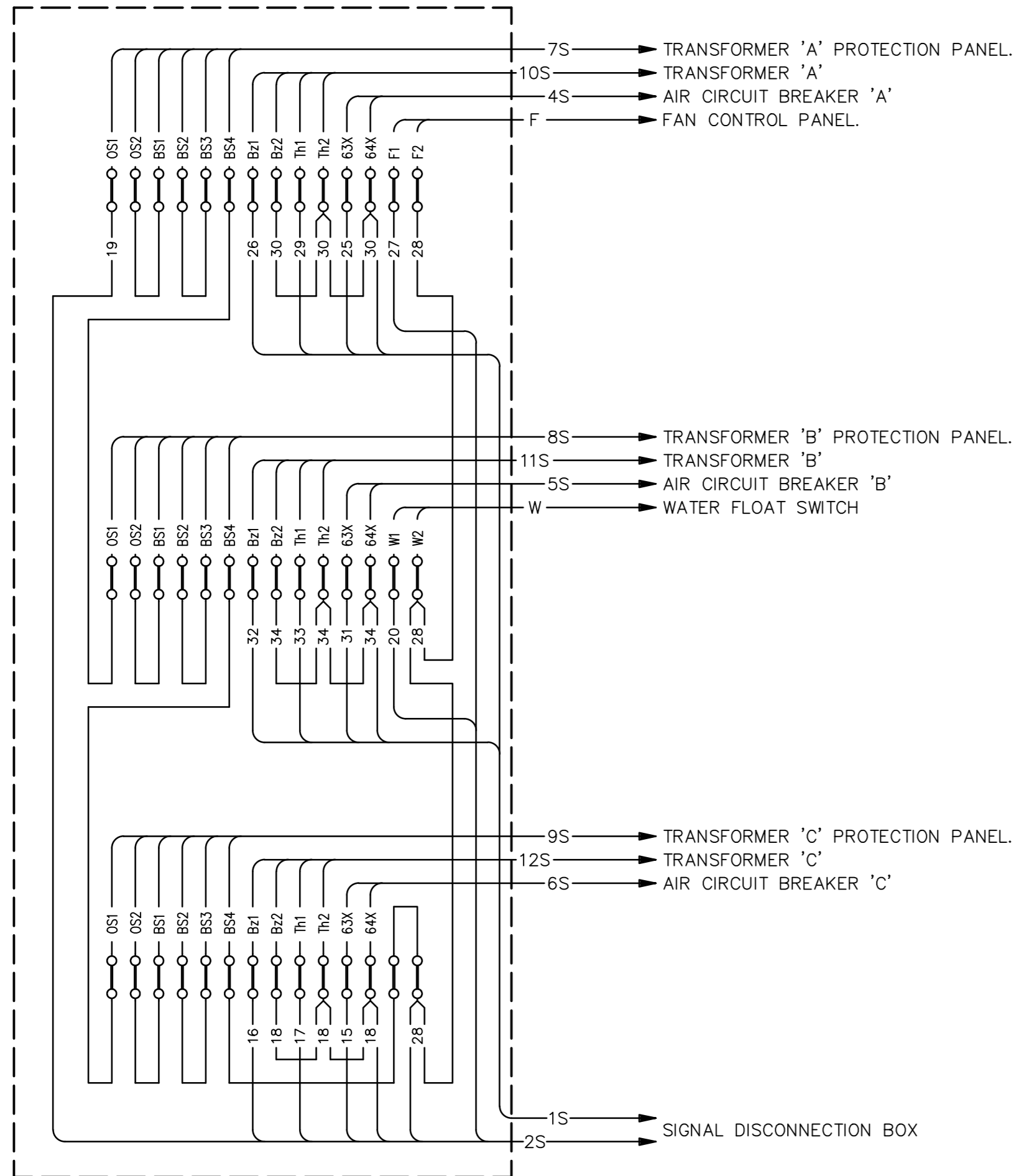


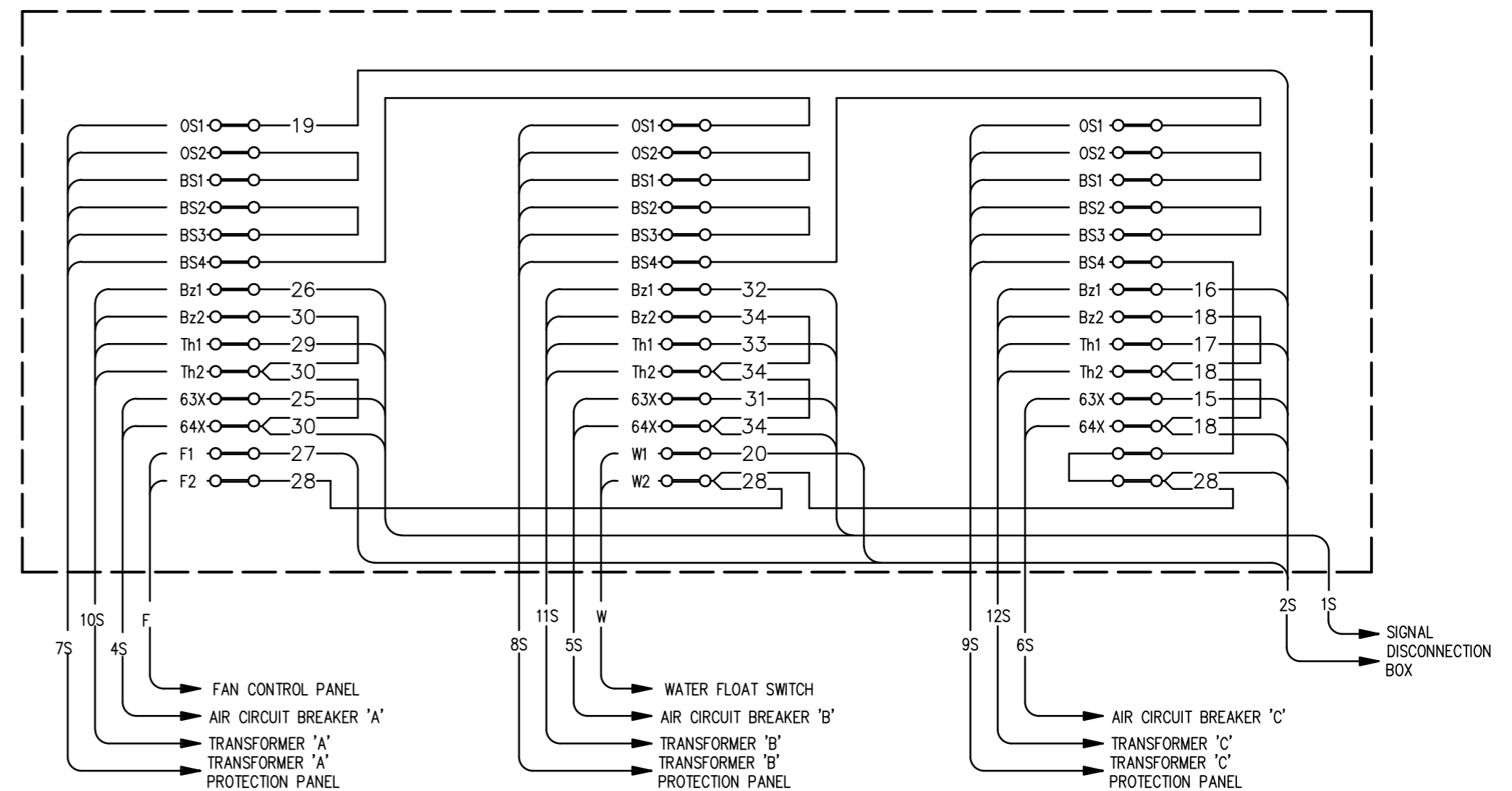
REFERENCE DRAWINGS	
CITY DIST CENTRES USING MOTORISED ACB C P & S CABLING	B1-115946
CITY DIST CENTRES USING MOTORISED ACB CONTROL POINT & U/L SUB CABLING	B1-115947
CITY DIST CENTRES USING MOTORISED ACB WITH H2 BOARD C P & S CABLING	B1-116147
CITY DIST CENTRES USING MOTOR ACB H2 BOARD CNTL PNT & U/L SUB CABLING	B1-116148
CITY DIST CENTRES USING MOTORISED ACB SIGNAL MARSHALLING BOX GEN ARRGT	A1-115837

NOTES.

- CORE N° IN CABLES 1S & 2S REFER TO TERMINAL LINK NUMBERS IN SIGNAL DISCONNECTION BOX.



**VERTICAL BOX ARRANGEMENT.
TYPE 1.**



**HORIZONTAL BOX ARRANGEMENT.
TYPE 2.**

CAD DRAWING DO NOT MANUALLY AMEND AMENDMENTS 1. CABLE 13S TO SUMMATED OC PANEL DELETED. WIRE OS1 CONNECTED TO CABLE 6S. PN 23465 PWJ 21788 CHECKED: ALC 2. OS1 CONNECTION TO CABLE 6S ALTERED. REF DRAWINGS ALTERED. PN 23465 PWJ 13588 CHECKED: ALC 3. TRANSLATED FROM CADAM. D.R.B. 31-7-90 Prod No 30000 Checked: G.S.K. Approved: O.Z. 4. VERTICAL BOX DETAILS ADDED. D.R.B. 30-6-92 Prod No 30000 Checked: P.I.E. Approved: O.Z. 5. CORE FUNCTIONS IN CABLES 1S AND 2S ALTERED. D.R.B. 21-9-92 Prod No 83203/83204 Checked: P.I.E. Approved: O.Z. 6. LOOPING CONNECTIONS ALTERED. D.R. BENNETT 15-12-93 Prod No 50204 Checked: P.I.E. Approved: O.Z. 7. TYPE NUMBERS ADDED TO BOXES. D.R. BENNETT 13-10-94 Prod No 50204 Checked: P.I.E. Approved: O.Z. 8. NEW AUSGRID BORDER & LOGO ADDED. R.LAALAA 24/09/2013 APPROVED T.LAMPARD 9. BORDER & TITLE BLOCK UPDATED. M.BENNETT 24/10/2024 CHECKED: L.MARTINUZZI APPROVED: M.BENNETT	<p>24 Campbell Street SYDNEY NSW 2000 P: 9272 3805</p>	SCALE	NTS	CITY DISTRIBUTION CENTRES USING MOTORISED AIR CIRCUIT BREAKERS SIGNAL MARSHALLING BOX CONNECTIONS	SIZE A2	DRAWING No 115836	SHEET 1	AMD 9
		DESIGNED	-					
DRAWN	P.JARVIS	TRIM REF	-					
CHECKED	S.MUNRO	ISSUED FOR	CONSTRUCTION					
APPROVED	J.HARRIS							
DATE	21/09/1987							
C&P - DISTRIBUTION SUBS								