

A

B

C

D

E

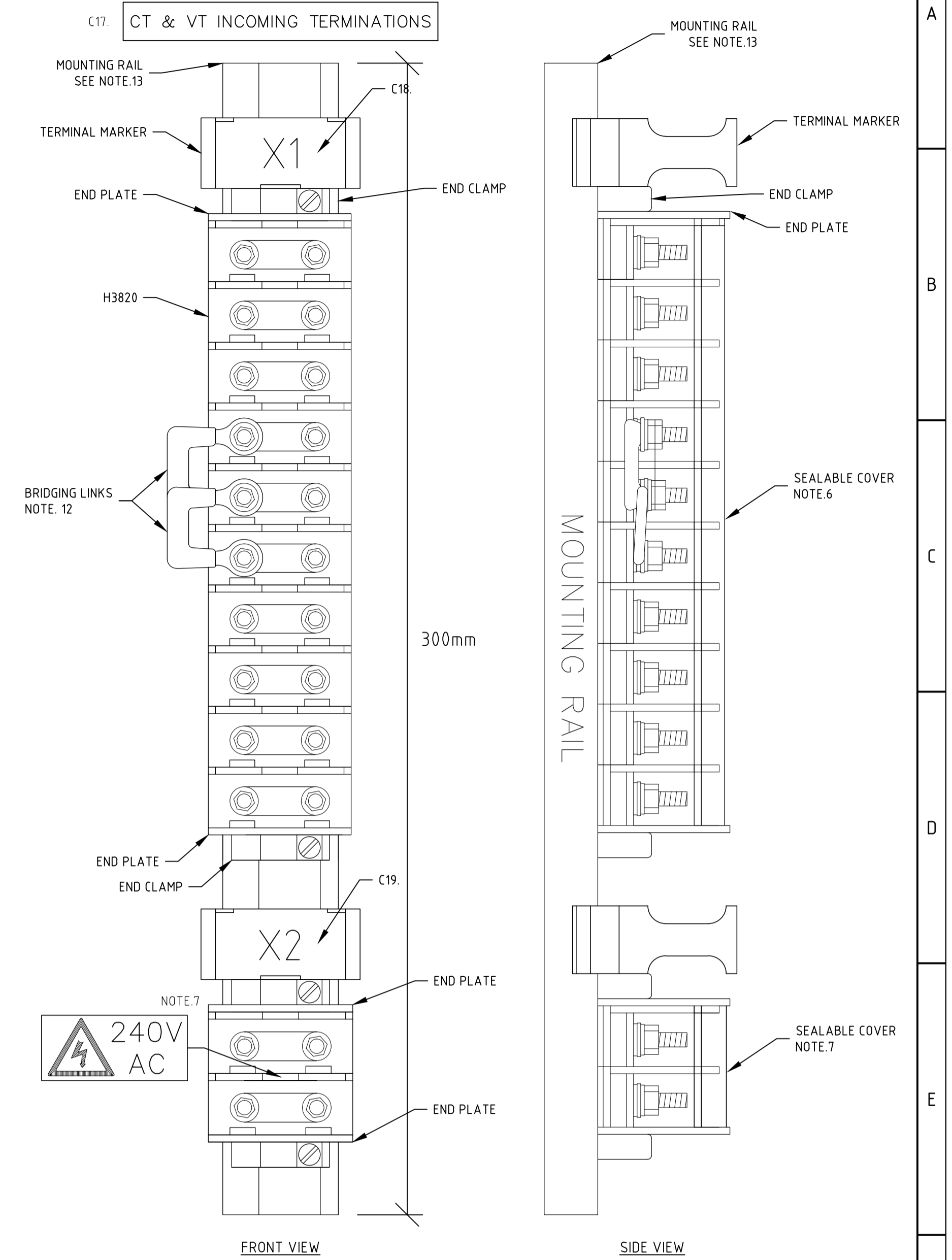
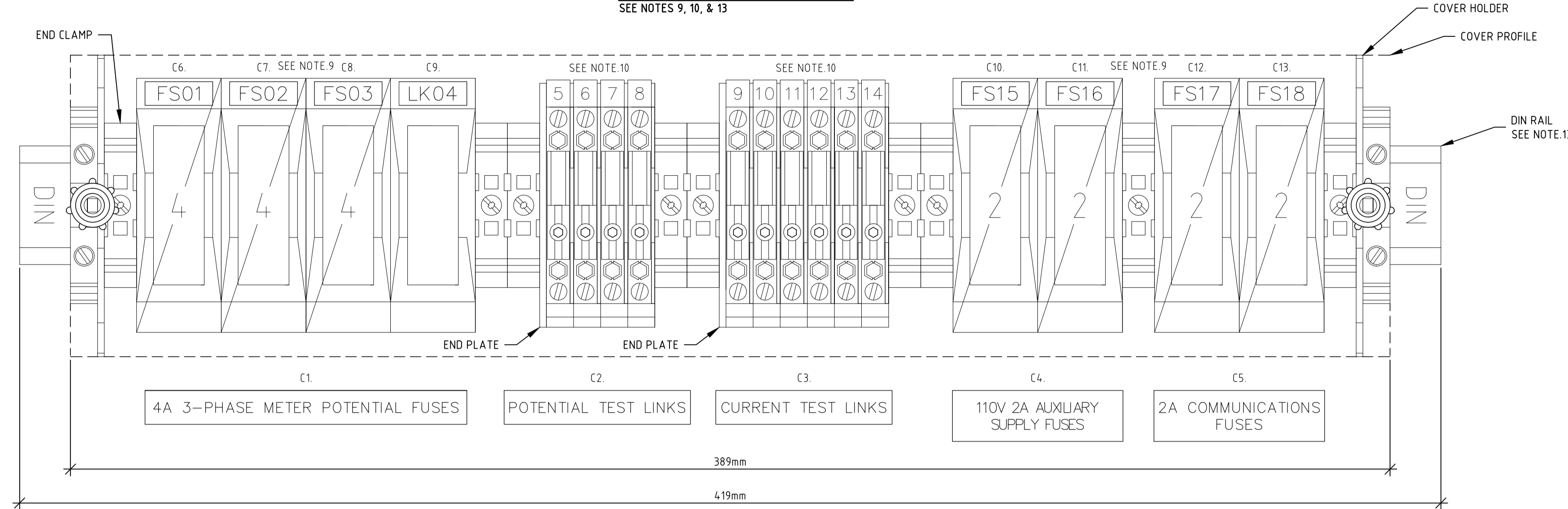
F

G

H

BEHIND PANEL EQUIPMENT - SCALE 1:1
SEE NOTES 6, 7, 12 & 13

PANEL DIN MOUNTED EQUIPMENT - SCALE 1:1
SEE NOTES 9, 10, & 13



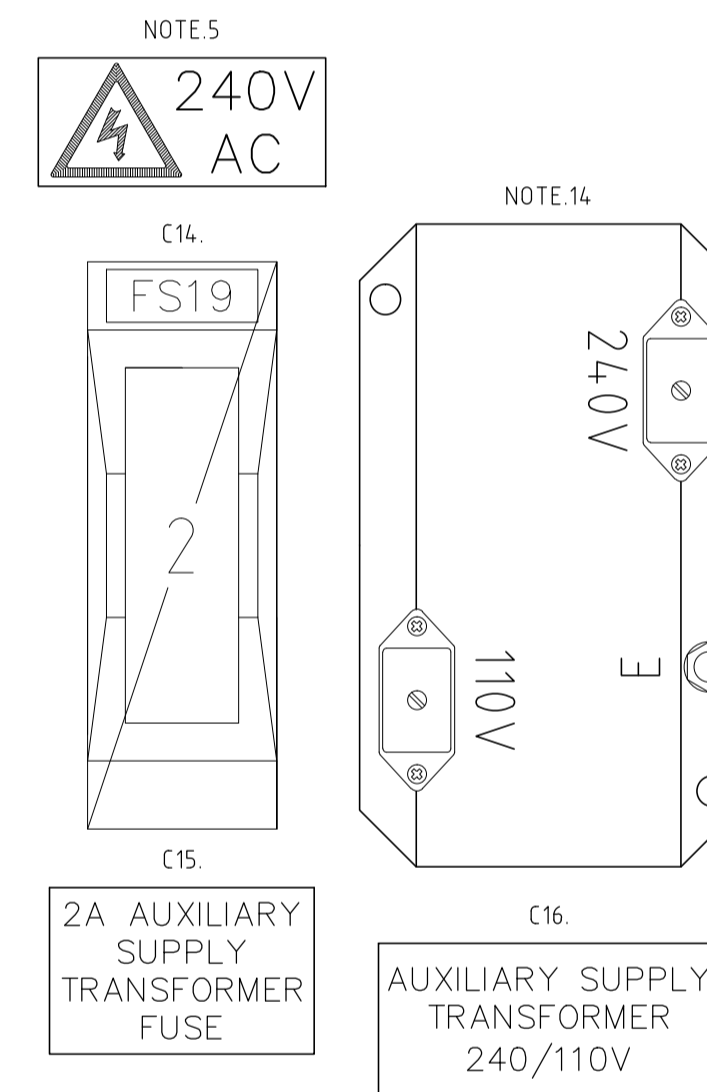
NOTE 3

ITEM	MAKE	TYPE	RATING	QUANTITY
PANEL LINKS AND FUSES				
FUSE HOLDER	ALSTOM	SAFECLIP SC20H BLACK	-	7
LINK HOLDER	ALSTOM	SAFECLIP SC20HWH WHITE	-	1
TEST LINK	PHOENIX	URTK/S	-	10
MARKER	PHOENIX	ZB 8, LGS 1 - 10	-	1 BAG
MARKER	PHOENIX	ZB 8, LGS 11 - 20	-	1 BAG
END PLATE	PHOENIX	D-URTK	-	2
END CLAMP	PHOENIX	E/NS35N	-	9
DIN RAIL	-	STANDARD DIN RAIL	-	419mm
COVER HOLDER + NUT	PHOENIX	AP3-TNS35	-	2
COVER PROFILE	PHOENIX	AP3	-	389mm
FUSE	-	HRC FUSE LINK	4A	3
LINK	-	LINK TO SUIT FUSE HOLDER	-	1
FUSE	-	HRC FUSE LINK	2A	5
CT & VT INCOMING TERMINATIONS - X1 & X2				
TERMINAL	UTILUX	H3820	-	12
END PLATE	UTILUX	H3821	-	4
END CLAMP	UTILUX	H2232	-	4
MOUNTING RAIL	UTILUX	H2233	-	300mm
TERMINAL COVER	UTILUX	H3822	-	158mm
TERMINAL COVER	UTILUX	H3822	-	30mm
BRIDGING LINK	UTILUX	H3824P	-	2
TERMINAL MARKER	WEIDMULLER	SCHT 5	-	2
STICKER	-	DANGER 240V AC	-	2
240V AUXILIARY SUPPLY EQUIPMENT				
FUSE HOLDER	ALSTOM	SAFECLIP SC32BW BLACK	-	1
TRANSFORMER	RADAMETA	MD290811/2 240/110V	100VA	1

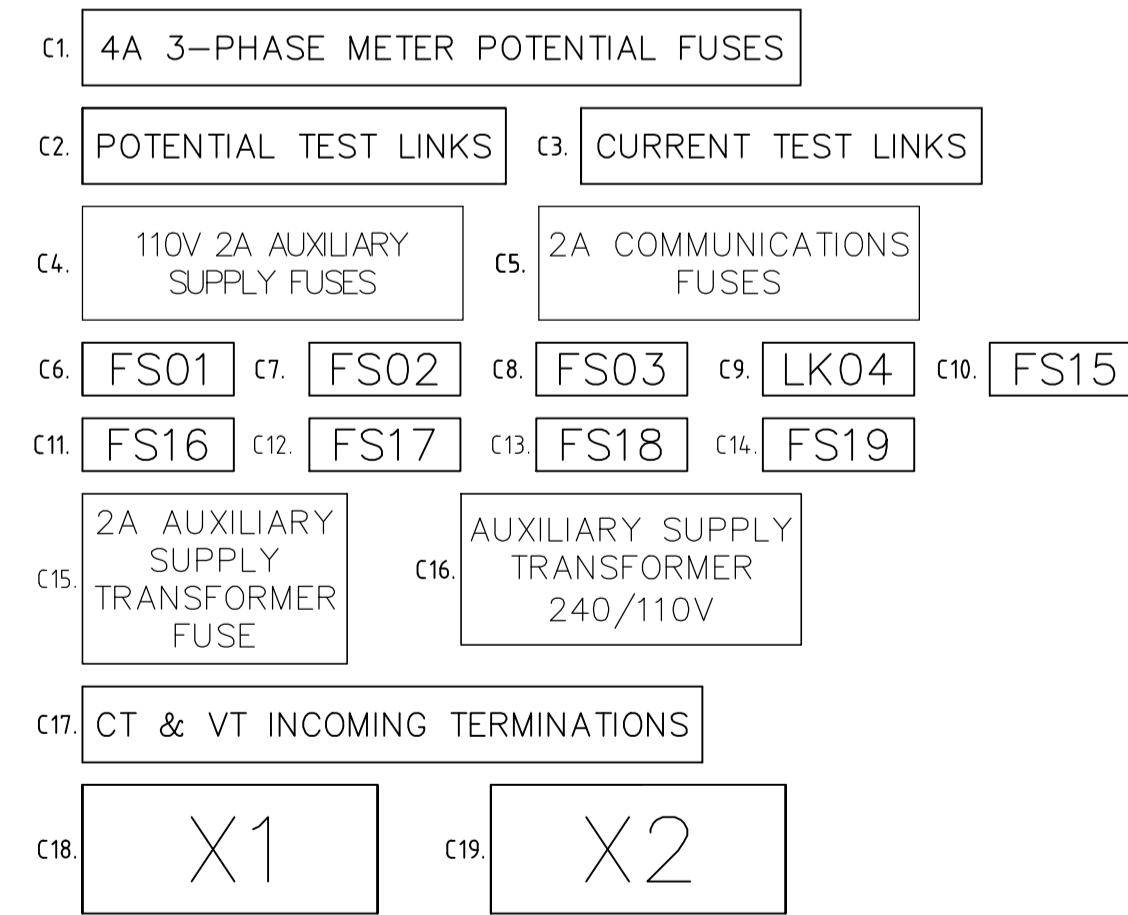
EQUIPMENT & ASSOCIATED EQUIPMENT PARTS LIST

- NOTES:
- ALL PANELS, CABLING, AND EQUIPMENT SHALL BE INSTALLED IN ACCORDANCE WITH THE HIGH VOLTAGE METERING REQUIREMENTS SETOUT IN ES3.
 - THE AC FUSE/TEST LINK/TERMINATIONS FUNCTION TABLE OR EQUIVALENT IS TO BE PRINTED OUT, LAMINATED AND APPROPRIATELY ATTACHED TO THE REAR OF THE PANELS ENCLOSURE ACCESS DOOR OR LID, OR ON THE PANEL ITSELF IF AN ENCLOSURE IS NOT USED.
 - PART NUMBERS QUOTED IN THIS DOCUMENT REFER TO COMMONLY USED EQUIPMENT AND SHOULD BE USED AS A GUIDE. ALL PARTS CAN BE OF THE SAME TYPE OR EQUIVALENT.
 - DIN MOUNTED EQUIPMENT COVER - ALL LINKS AND FUSES AT THIS TEST POINT MUST HAVE A SEALABLE COVER THAT WHEN IN POSITION NO CONDUCTOR OR ANY MOUNTING SCREW IS EXPOSED AND HAS THE FACILITY TO BE APPROPRIATELY SEALED BY THE APPROVED METER PROVIDER. IN ENVIRONMENTS WITH HIGH LEVELS OF AIR BOURNE PARTICLES SUCH AS; DUST, COAL, THE DIN MOUNTED EQUIPMENT MUST BE COMPLETELY COVERED BY THE SEALABLE COVER TO PREVENT THE INGRESS OF SUCH MATTER.
 - A STICKER SIMILAR TO THAT SHOWN SHALL BE PLACED AS CLOSE A PRACTICABLE TO THE AUXILIARY TRANSFORMER FUSE INDICATING THAT THE VOLTAGE WITHIN IS 240V.
 - THE INCOMING CT AND VT TERMINATIONS (X1) SHALL HAVE A COVER THAT PREVENTS CONTACT WITH LIVE EXPOSED CONDUCTORS AND SEPARATELY SEALED TO PREVENT UNAUTHORISED ACCESS.
 - THE 240V INCOMING TERMINATIONS (X2) SHALL HAVE A COVER THAT PREVENTS CONTACT WITH LIVE EXPOSED CONDUCTORS, A STICKER SIMILAR TO THAT SHOWN SHALL BE PLACED ON THE COVER INDICATING THAT THE VOLTAGE WITHIN IS 240V.
 - ALL LABELS C.1 - C.19 TO BE ENGRAVED TYPE ON WHITE GRAVOPLLY OR EQUIVALENT WITH BLACK LETTERING AND SHALL BE ADEQUATELY SECURED TO THE PANEL.
 - THE FUSE/LINK BASE AND HOLDER LABELS C.6 - C.9 & C.10 - C.14, SHALL HAVE A LABEL ON BOTH THE BASE AND FUSE HOLDER.
 - TEST LINKS 05 - 14 SHALL HAVE PUSH IN TERMINAL MARKINGS (OR EQUIVALENT) TO IDENTIFY THE LINK NUMBER.
 - IF LABEL C20 IS TO BE INSTALLED OUTDOORS, IT SHALL BE MADE FROM UV RATED MATERIAL. IF AN ENCLOSURE IS USED IT SHALL BE FIXED TO THE ENCLOSURE LID WITH BOLTS AND SELF LOCKING NUTS, CARE SHOULD BE TAKEN TO ENSURE THE IP RATING OF THE ENCLOSURE IS MAINTAINED. IF THE METERING PANEL IS INSTALLED INDOORS AND AN ENCLOSURE IS NOT USED, THE LABEL SHALL BE FIXED TO THE FRONT OF THE PANEL.
 - THE BRIDGING LINKS ARE ONLY REQUIRED IF A 4 WIRE SYSTEM IS USED FOR THE INCOMING CURRENT CIRCUIT.
 - ALL METAL COMPONENTS INCLUDING EQUIPMENT DIN RAIL SHALL BE BONDED TO EARTH.
 - THE AUXILIARY SUPPLY VT SHOWN IS FOR ILLUSTRATION PURPOSES ONLY.

AUXILIARY SUPPLY EQUIPMENT - SCALE 1:1
SEE NOTES 5 & 14



PANEL LABELLING - SCALE 1:1
SEE NOTE 8



PANEL ENCLOSURE LABELLING - SCALE 1:1
SEE NOTE 11



NOTE 8

LABEL	SIZE (w x h)	TYPE	TEXT LINE	TEXT HEIGHT	ENGRAVING	QTY
C1	95mm X 10mm	ENGRAVED TYPE - WHITE/BLACK	LINE 1	3.0mm	4A 3-PHASE METER POTENTIAL FUSES	1
C2	56mm X 10mm	ENGRAVED TYPE - WHITE/BLACK	LINE 1	3.0mm	POTENTIAL TEST LINKS	1
C3	53mm X 10mm	ENGRAVED TYPE - WHITE/BLACK	LINE 1	3.0mm	CURRENT TEST LINKS	1
C4	50mm X 15mm	ENGRAVED TYPE - WHITE/BLACK	LINE 1 LINE 2	3.0mm 3.0mm	110V 2A AUXILIARY SUPPLY FUSES	1
C5	50mm X 15mm	ENGRAVED TYPE - WHITE/BLACK	LINE 1 LINE 2	3.0mm 3.0mm	2A COMMUNICATIONS FUSES	1
C6	20mm X 7mm	ENGRAVED TYPE - WHITE/BLACK	LINE 1	4.0mm	FS01	2
C7	20mm X 7mm	ENGRAVED TYPE - WHITE/BLACK	LINE 1	4.0mm	FS02	2
C8	20mm X 7mm	ENGRAVED TYPE - WHITE/BLACK	LINE 1	4.0mm	FS03	2
C9	20mm X 7mm	ENGRAVED TYPE - WHITE/BLACK	LINE 1	4.0mm	LK04	2
C10	20mm X 7mm	ENGRAVED TYPE - WHITE/BLACK	LINE 1	4.0mm	FS15	2
C11	20mm X 7mm	ENGRAVED TYPE - WHITE/BLACK	LINE 1	4.0mm	FS16	2
C12	20mm X 7mm	ENGRAVED TYPE - WHITE/BLACK	LINE 1	4.0mm	FS17	2
C13	20mm X 7mm	ENGRAVED TYPE - WHITE/BLACK	LINE 1	4.0mm	FS18	2
C14	20mm X 7mm	ENGRAVED TYPE - WHITE/BLACK	LINE 1	4.0mm	FS19	2
C15	35mm X 22mm	ENGRAVED TYPE - WHITE/BLACK	LINE 1 LINE 2 LINE 3 LINE 4	3.0mm	2A AUXILIARY SUPPLY TRANSFORMER FUSE	1
C16	45mm X 20mm	ENGRAVED TYPE - WHITE/BLACK	LINE 1 LINE 2 LINE 3	3.0mm	AUXILIARY SUPPLY TRANSFORMER 240/110V	1
C17	82mm X 10mm	ENGRAVED TYPE - WHITE/BLACK	LINE 1	3.0mm	CT & VT INCOMING TERMINATIONS	1
C18	39mm X 17mm	ENGRAVED TYPE - WHITE/BLACK	LINE 1	8.5mm	X1	1
C19	39mm X 17mm	ENGRAVED TYPE - WHITE/BLACK	LINE 1	8.5mm	X2	1
C20	150mm X 50mm	ENGRAVED TYPE - WHITE/BLACK	LINE 1	20mm	METERING	1

LABEL SCHEDULE

NOTE 2

ITEM	RATING	ITEM FUNCTION	MAKE	TYPE
FS01	4A	METER 110V VT POTENTIAL FUSE - REDØ	ALSTOM	SAFECLIP SC20H BLACK
FS02	4A	METER 110V VT POTENTIAL FUSE - WHITEØ	ALSTOM	SAFECLIP SC20H BLACK
FS03	4A	METER 110V VT POTENTIAL FUSE - BLUEØ	ALSTOM	SAFECLIP SC20H BLACK
LK04	LINK	METER 110V VT POTENTIAL LINK - NEUTRAL	ALSTOM	SAFECLIP SC20HWH WHITE
LK05	-	METER POTENTIAL TEST LINK - REDØ	PHOENIX	URTK/S
LK06	-	METER POTENTIAL TEST LINK - WHITEØ	PHOENIX	URTK/S
LK07	-	METER POTENTIAL TEST LINK - BLUEØ	PHOENIX	URTK/S
LK08	-	METER POTENTIAL TEST LINK - NEUTRAL	PHOENIX	URTK/S
LK09	-	METER CURRENT TEST LINK - REDØ POLARITY	PHOENIX	URTK/S
LK10	-	METER CURRENT TEST LINK - REDØ NON POLARITY	PHOENIX	URTK/S
LK11	-	METER CURRENT TEST LINK - WHITEØ POLARITY	PHOENIX	URTK/S
LK12	-	METER CURRENT TEST LINK - WHITEØ NON POLARITY	PHOENIX	URTK/S
LK13	-	METER CURRENT TEST LINK - BLUEØ POLARITY	PHOENIX	URTK/S
LK14	-	METER CURRENT TEST LINK - BLUEØ NON POLARITY	PHOENIX	URTK/S
FS15	2A	AUXILIARY SUPPLY 110V POTENTIAL FUSE	ALSTOM	SAFECLIP SC20H BLACK
FS16	2A	AUXILIARY SUPPLY 110V POTENTIAL FUSE	ALSTOM	SAFECLIP SC20H BLACK
FS17	2A	COMMUNICATIONS 110V POTENTIAL FUSE	ALSTOM	SAFECLIP SC20H BLACK
FS18	2A	COMMUNICATIONS 110V POTENTIAL FUSE	ALSTOM	SAFECLIP SC20H BLACK
FS19	2A	240V AC SUPPLY POTENTIAL FUSE	ALSTOM	SAFECLIP SC32BW BLACK
X1	-	REAR OF PANEL INCOMING CT AND VT TERMINATIONS	UTILUX	H3820
X2	-	REAR OF PANEL INCOMING 240V SUPPLY TERMINATIONS	UTILUX	H3820

AC FUSE/TEST LINK/TERMINATIONS FUNCTION TABLE

<p>CAD DRAWING DO NOT MANUALLY AMEND</p> <p>AMENDMENTS</p> <p>1. UPDATED EQUIPMENT & ASSOCIATED EQUIPMENT PARTS LIST. 25/06/2015 M.HARRISON CHECKED M.HARRISON APPROVED</p>	HIGH VOLTAGE METERING SCHEMATIC DIAGRAM, WIRING DIAGRAM & PANEL LAYOUT INSTALLATION WITH AUX SUPPLY		221332 sh.1	<p>BSP METERING 824 OLD ILLAWARRA RD, MENA 2234 PHONE: (02) 85696710</p>	SCALE AS SHOWN	<p>HIGH VOLTAGE METERING LABELLING & EQUIPMENT DETAILS INSTALLATION WITH AUXILIARY SUPPLY</p>	
	ASSOCIATED DRAWINGS				DESIGNED R.LOWE		
					DRAWN M.HARRISON		
					CHECKED A.BRADSHAW		
				APPROVED R.LOWE	DATE 11/11/2013		
				PROJECT No. -	PROJECT NUMBER -		
				DRAWING No. 221332	SHEET 2	AMD 01	SIZE A1