

FIG 3.7A

FUSEWAY REMOVAL

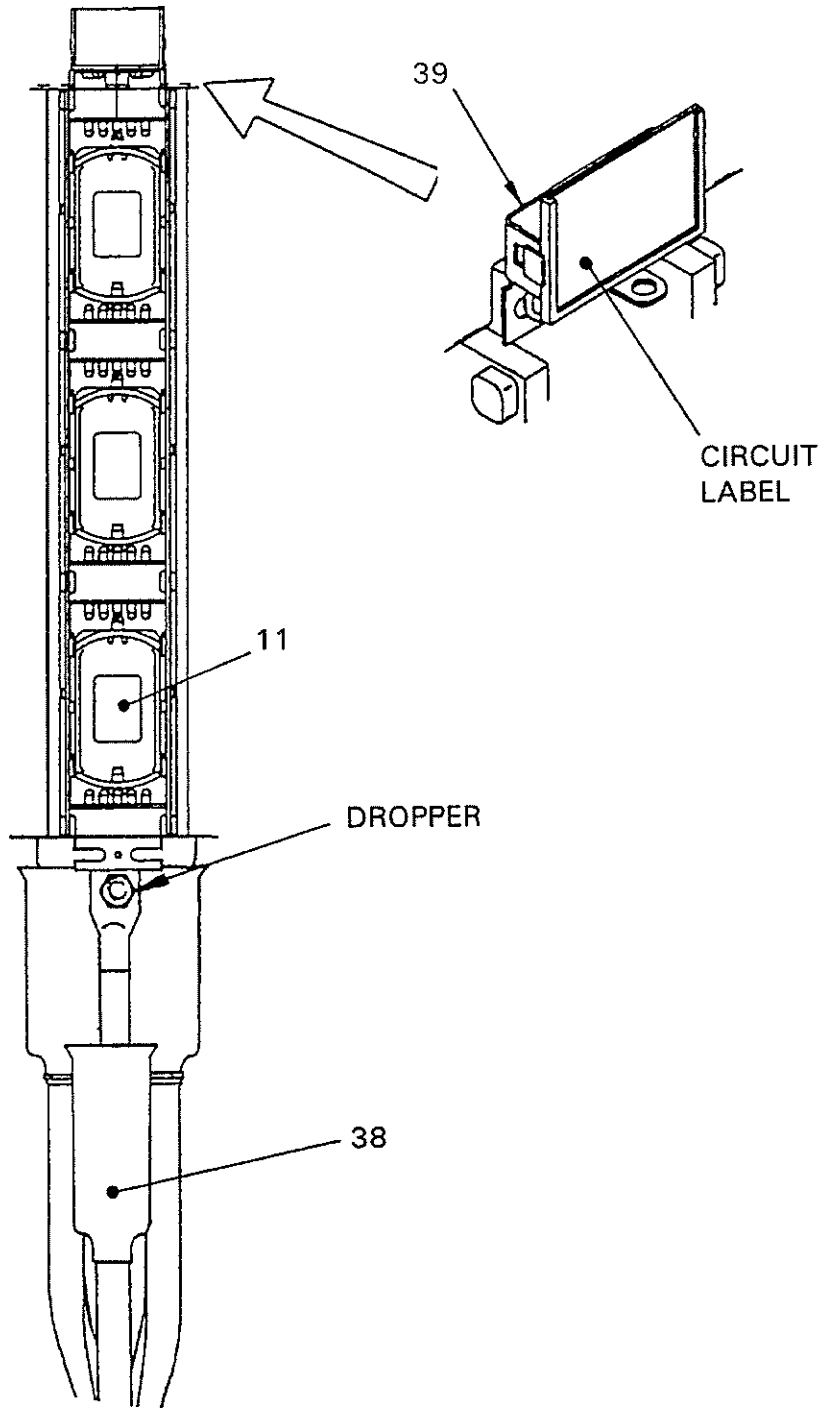


FIG 3.7B

FUSEWAY REPLACEMENT

